

1.43 V2.0 High frequency matching unit

Drawing Number TP307416 **Figure Number** 43 **STS Ref.** AS307416

Note The parts list for this assembly extends over two pages. The illustration (figure 40) will be repeated to ensure ease of cross-referencing.

Item	Description of Part	Part Number	Notes
1	High frequency matching unit enclosure	FB306538	
2	High frequency matching unit lid	aC4664	
3	High frequency matching unit drive cover	aC4665	
4	High frequency matching unit drive lid	aC4666	
5	Busbar – N type to cap.	DT307599	
6	Busbar – cap to cap.	DT307600	
7	8 Turn coil 8125-128	aC4673	
8	PWB 8063-003 A310 dual	AC1763	
9	Coil clamp top 8125-129	1C4674	
10	Coil clamp bottom	1C4676	
11	Nut, full, M4	4P1500	
12	Connector N type socket	535000	
13	Gearbox 640:1 ratio	560018	
14	Motor	560021	
15	Potentiometer kit	505504	
16	Potentiometer 5KO	505090	
17	Capacitor, variable 36-1528pF	512530	
18	Busbar, Cap to earth	DT307601	
19	Capacitor bracket (long)	DT306657	
20	Oldham coupling, 4mm x 1/4	561046	
21	Isolation drive coupling	DT306919	
22	Earth stud assembly, M5	AS304349	

Continued overleaf...

1.43 V2.0 High frequency matching unit (continued)

Item	Description of Part	Part Number	Notes
23	Support pillar – 52mm	DT307573	
24	Capacitor, variable 19-101pF	512523	
25	Stud mod CT8054-104 item 4	1C1441	
26	Stud, 4mm	561465	
27	Bracket 4mm	561466	
28	Plastic retainer	561467	
29	Matching unit label set	LD302231	
30	Caphead screw, M4x25mm	471590	
31	Socket head CSK screw, M4x8mm	4D1540	
32	Aerotight nut, M4	256401	
33	Washer plain, M4	4J0500	
34	Pan head pozi-drive screw, M4x12mm	226277	
35	Microswitch cabinet	550019	
36	Pan head pozi-drive screw, M3x10mm	226208	
37	Matching unit label set	LD306737	
38	Washer plain, M3	4J0400	
39	Washer spring, M3	4V0400	
40	Caphead screw, M3x6mm	471430	
41	Connector D type screwlock	530025	
42	Washer, 10-32UNF, brass	226591	
43	Aerotight nut, M3	256417	
44	Washer spring, M4	4V0500	
45	Panhead screw 10-32UNFx3/8" brass	226578	
46	Connector DIN socket 3 way	530700	
47	Connector D type 15 way plug	530007	
48	Connector DIN socket 5 way 180	530701	

ICP Chamber Weighted Clamp Version 2

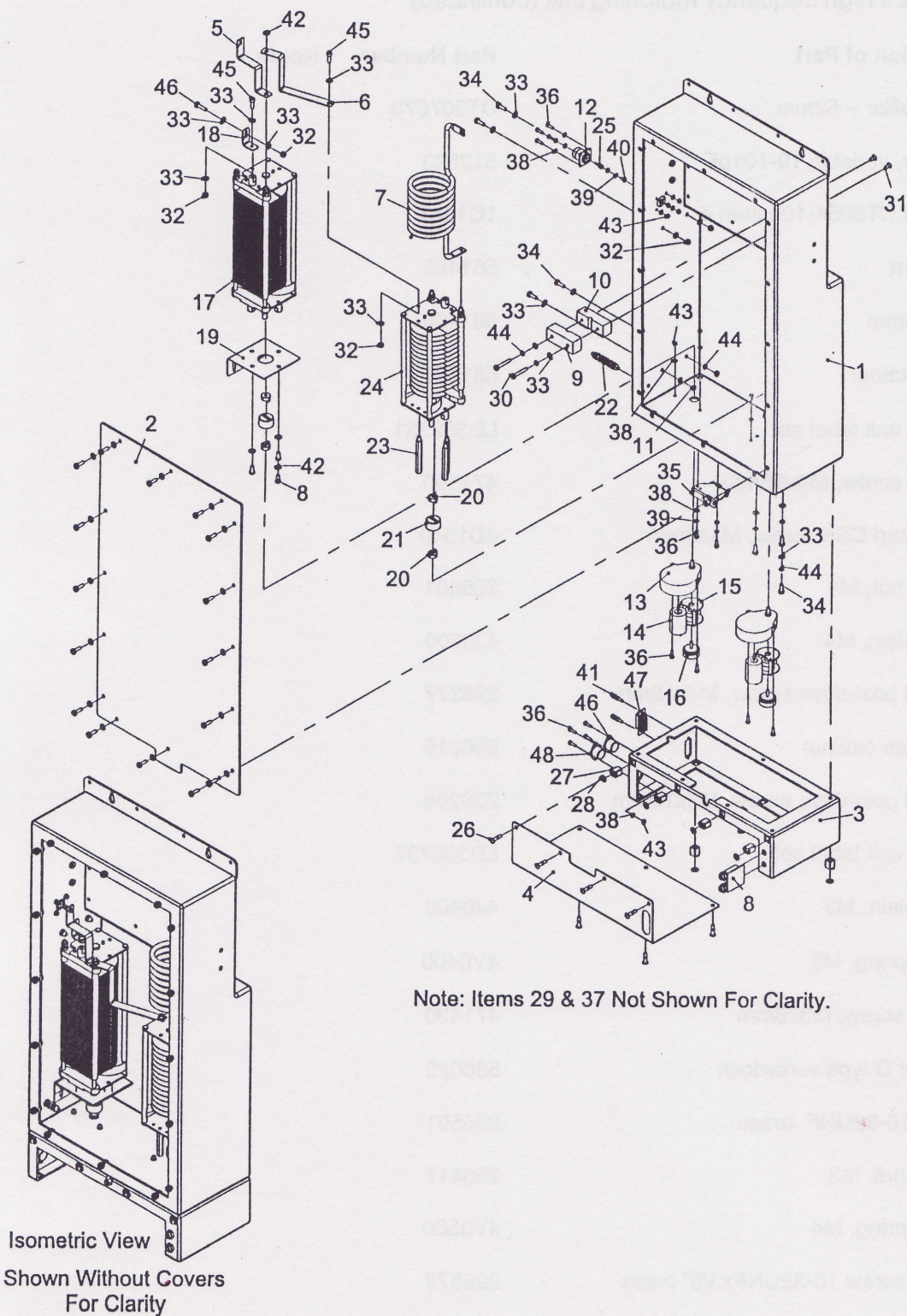


Figure 43 V2.0 High frequency matching unit