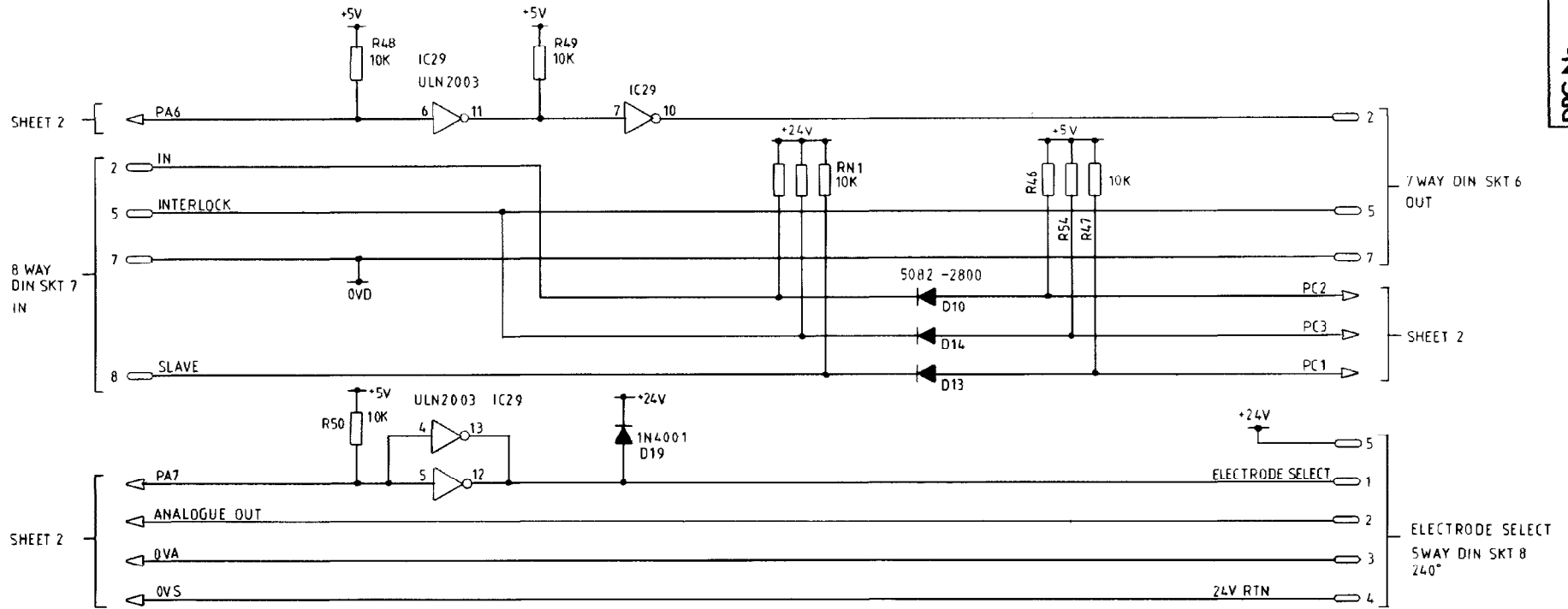


PART OF

DO NOT SCALE

SHEET OF

DRG. No.



4	CT0496		27/2/89
ISSUE	DESCRIPTION	APPD.	DATE
3	CT0465		3-10-88
2	CT0459		19-9-88
1	NEW ISSUE		13/4/88

TITLE AMC1 MATCHING UNIT

DRAWN	TRACED	CHECKED	APPROVED	DATE
TW				13/4/88

DRAWING No. CT8048-002 SHT 4 OF 4