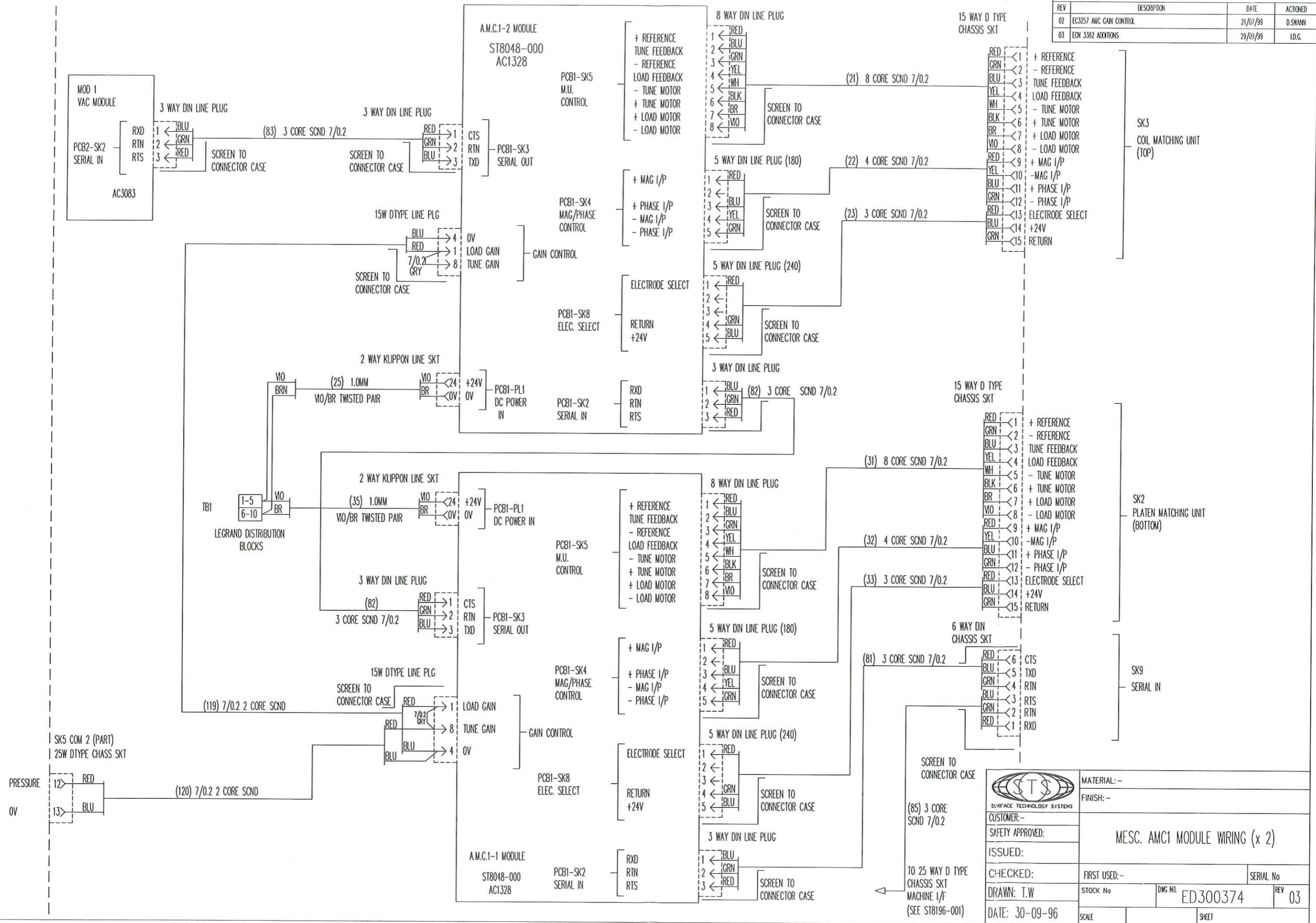


REVISIONS			
REV	DESCRIPTION	DATE	ACTIONED
02	EC3257 ANC GAIN CONTROL	21/07/99	D.SWANN
03	EON 3382 ADDITIONS	29/09/99	I.D.G.



		MATERIAL: -	
		FINISH: -	
CUSTOMER: -		MESC. AMC1 MODULE WIRING (x 2)	
SAFETY APPROVED:			
ISSUED:		SERIAL No	
CHECKED:		FIRST USED: -	
DRAWN: T.W		STOCK No	REV 03
DATE: 30-09-96		DWG No. ED300374	
		SCALE	SHEET