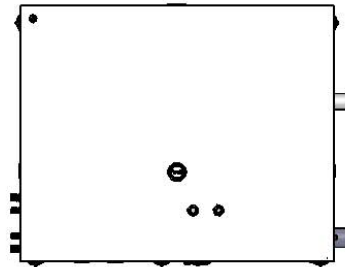
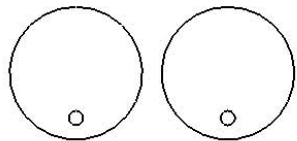
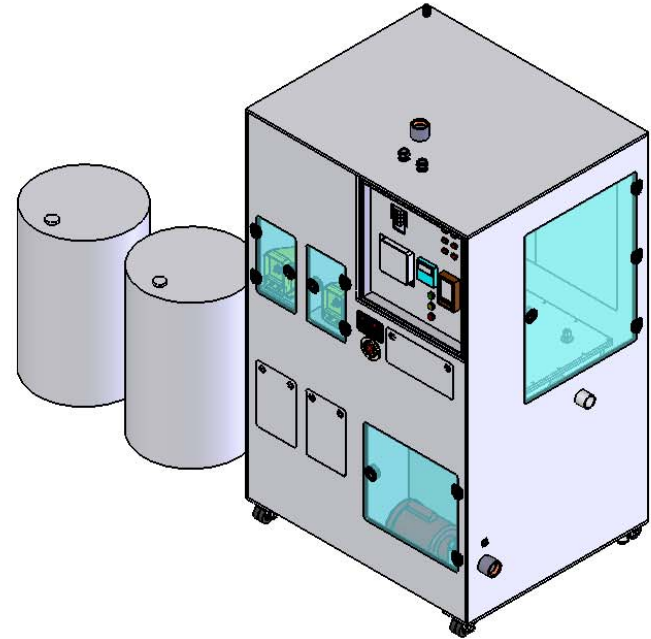
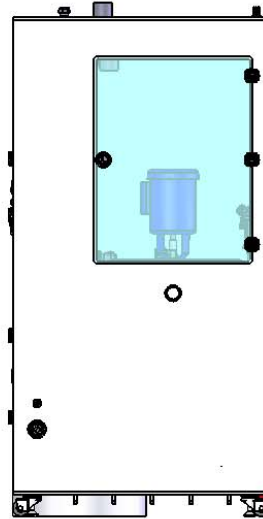
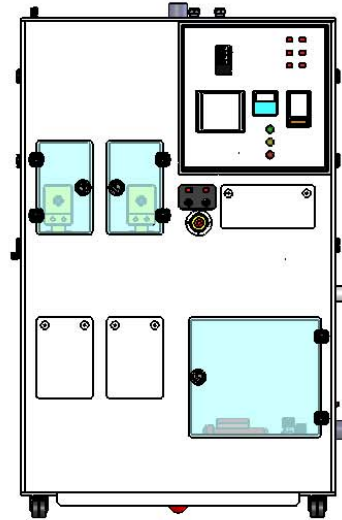
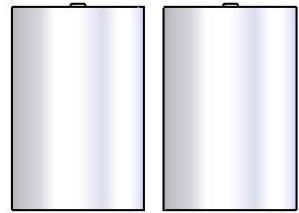


THE INFORMATION CONTAINED IN THIS DRAWING IS THE SOLE PROPERTY OF BOLD TECHNOLOGIES, INC. ANY REPRODUCTION IN PART OR WHOLE WITHOUT THE WRITTEN PERMISSION OF BOLD TECHNOLOGIES, INC. IS PROHIBITED.

REV	DESCRIPTION	DATE	APPROVAL
A	RELOCATED INJECTION PUMPS	8/15/08	



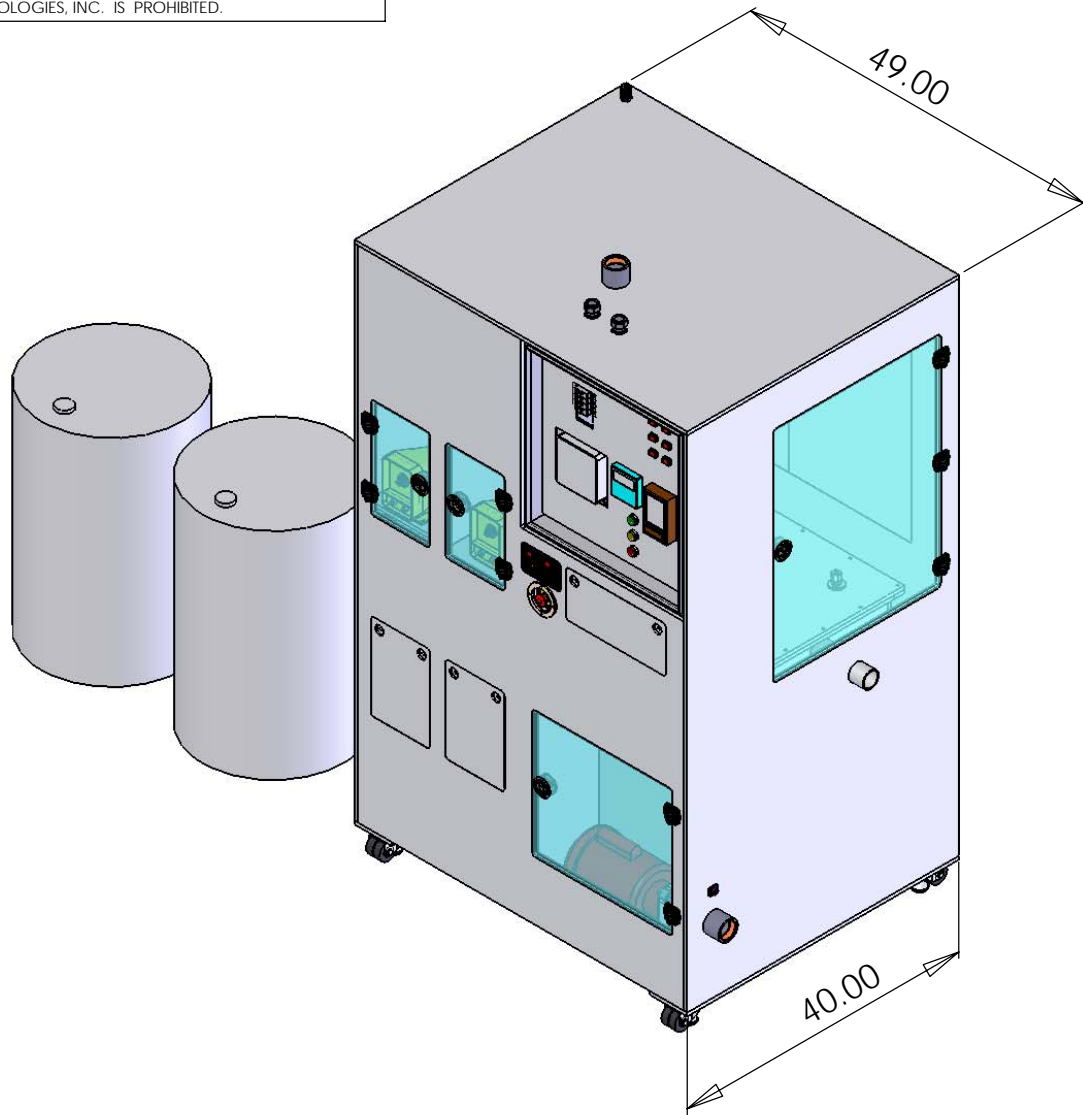
APPROVAL SIGNATURE: \_\_\_\_\_ DATE: \_\_\_\_\_

AS IS: \_\_\_\_\_

WITH CHANGES: \_\_\_\_\_

UNLESS OTHERWISE SPECIFIED DIMENSIONS ARE IN INCHES TOLERANCES ARE: FRACTIONS DECIMALS ANGLES + ±.03 + 1	CAD GENERATED DRAWING, DO NOT MANUALLY UPDATE		<b>Bold Technologies, Inc.</b> 1455 W. 8120 S. West Jordan, UT 84088	
	APPROVALS	DATE	<b>NEUTRALIZATION SYSTEM</b>	
	DRAWN KLM	8/15/08		
	CHECKED			
MATERIAL WHITE PP	RESP ENG		SIZE A	DWG. NO. 1977 BC
FINISH WELDED/DEBURRED	MFG ENG		SCALE: 1:30	CAD FILE: 1SW BCS
DO NOT SCALE DRAWING	QUAL ENG		SHEET 1 OF 11	

THE INFORMATION CONTAINED IN THIS DRAWING IS THE SOLE PROPERTY OF BOLD TECHNOLOGIES, INC. ANY REPRODUCTION IN PART OR WHOLE WITHOUT THE WRITTEN PERMISSION OF BOLD TECHNOLOGIES, INC. IS PROHIBITED.



POWER: 110 VAC, 30 AMP, 1 PHASE, 60 Hz.-3/4" LIQUID TIGHT  
 ALARM: 24 VDC, 1/2" LIQUID TIGHT-INTERNAL TERMINATION  
 EXHAUST: 10 CFM AT 0.5" WATER COLUMN - 2" CONNECTION  
 CITY WATER: 1/2" FLARETEK - SPRAY GUN ONLY  
 INLET: 1" FLARETEK INSIDE 2" FNPT COUPLER (SECONDARY)  
 OUTLET: 2" MNPT, 10 GPM MAX  
 CONTAINMENT OUTLET: 2" FNPT (PLUMB TO OUTLET LINE)

UNLESS OTHERWISE SPECIFIED  
 DIMENSIONS ARE IN INCHES  
 TOLERANCES ARE:  
 FRACTIONS DECIMALS ANGLES  
 + ±.03 + 1

CAD GENERATED DRAWING,  
 DO NOT MANUALLY UPDATE

APPROVALS	DATE
DRAWN KLM	8/15/08
CHECKED	

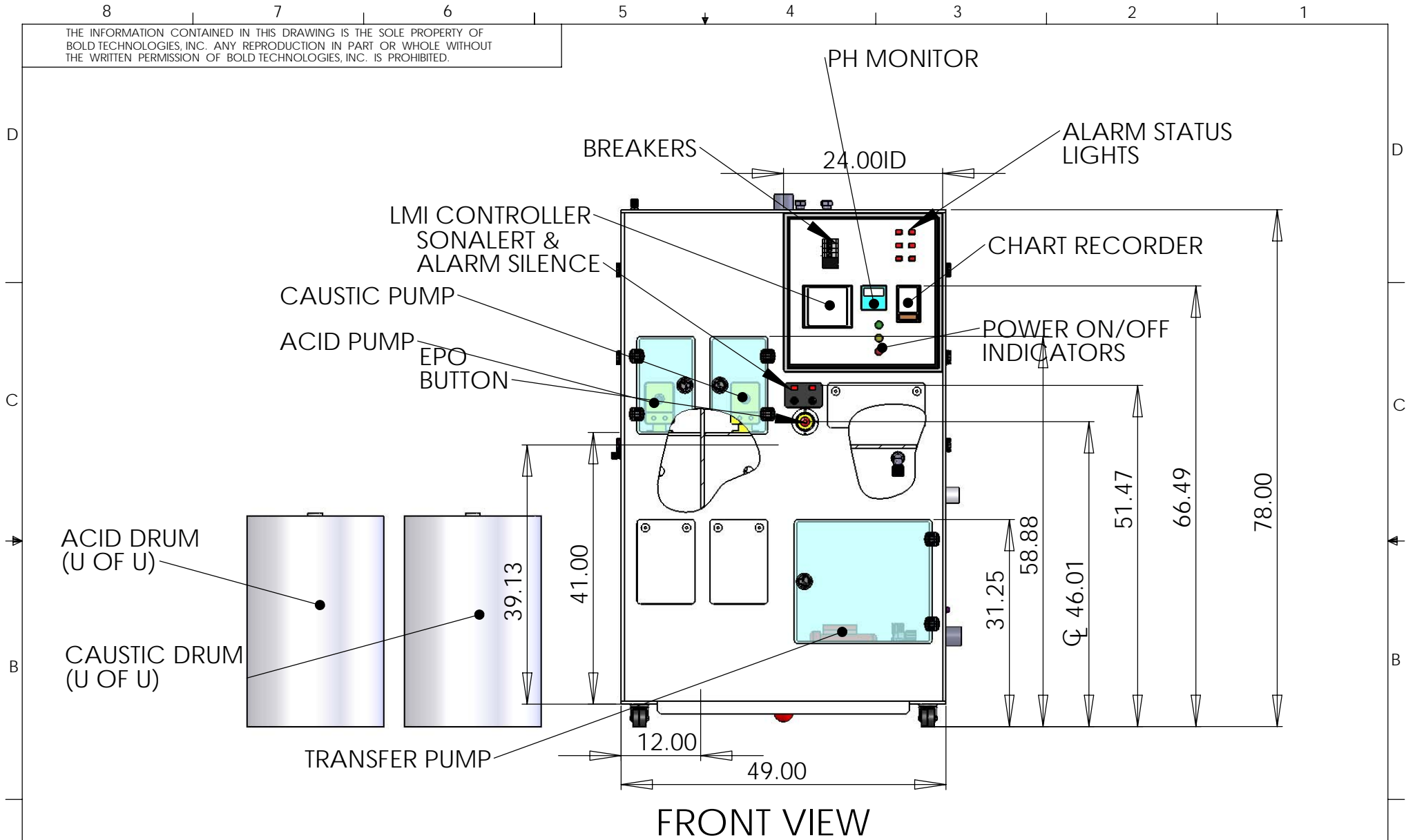
**Bold Technologies, Inc.**  
 1455 W. 8120 S.  
 West Jordan, UT 84088

MATERIAL  
 WHITE PP  
 FINISH  
 WELDED/DEBURRED  
 DO NOT SCALE DRAWING

RESP ENG  
 MFG ENG  
 QUAL ENG

NEUTRALIZATION SYSTEM		REV.
SIZE A	DWG. NO. 1977 BC	A
SCALE: 1:20	CAD FILE: 1SW BCS	SHEET 2 OF 11

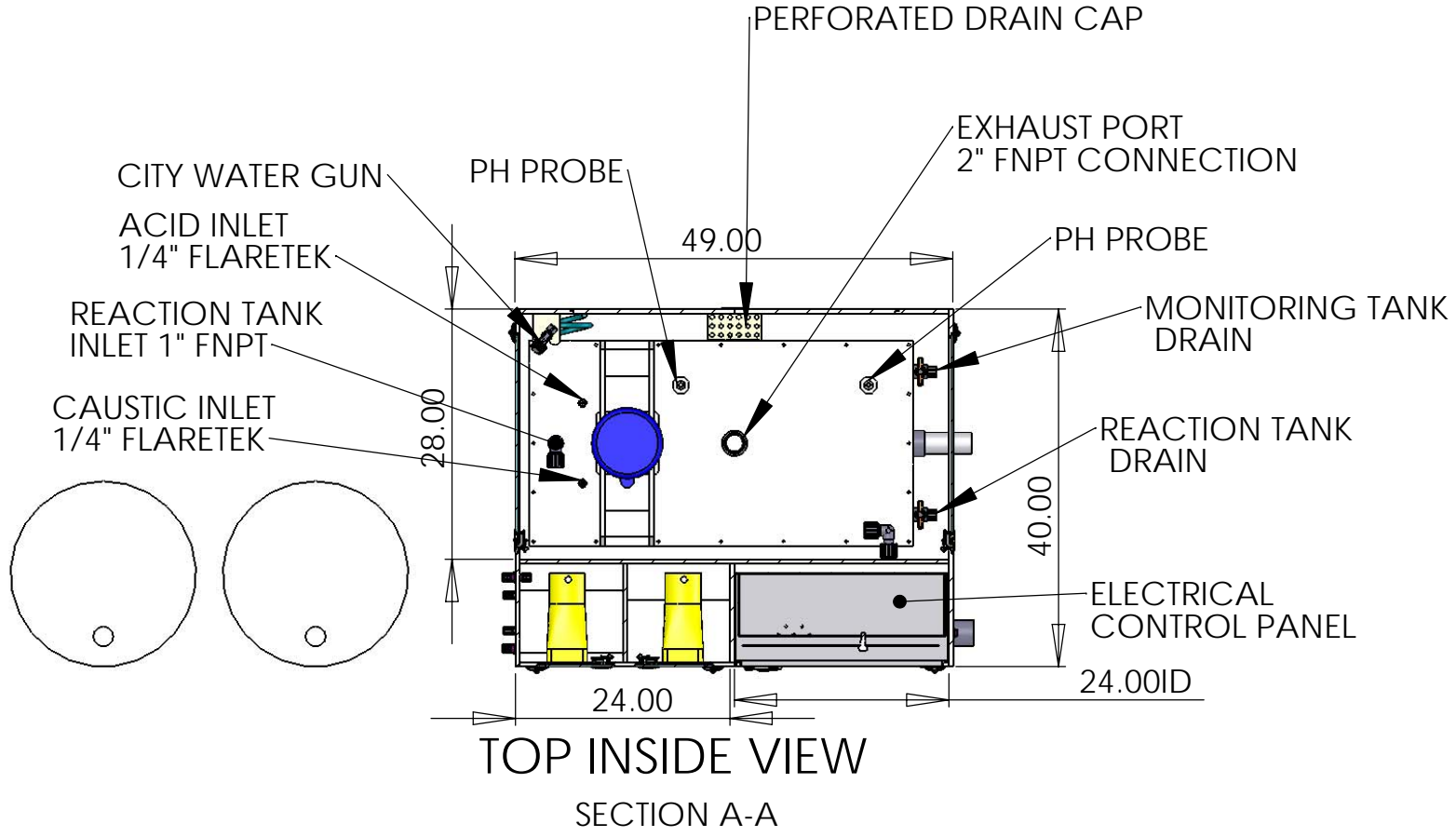
THE INFORMATION CONTAINED IN THIS DRAWING IS THE SOLE PROPERTY OF BOLD TECHNOLOGIES, INC. ANY REPRODUCTION IN PART OR WHOLE WITHOUT THE WRITTEN PERMISSION OF BOLD TECHNOLOGIES, INC. IS PROHIBITED.



### FRONT VIEW

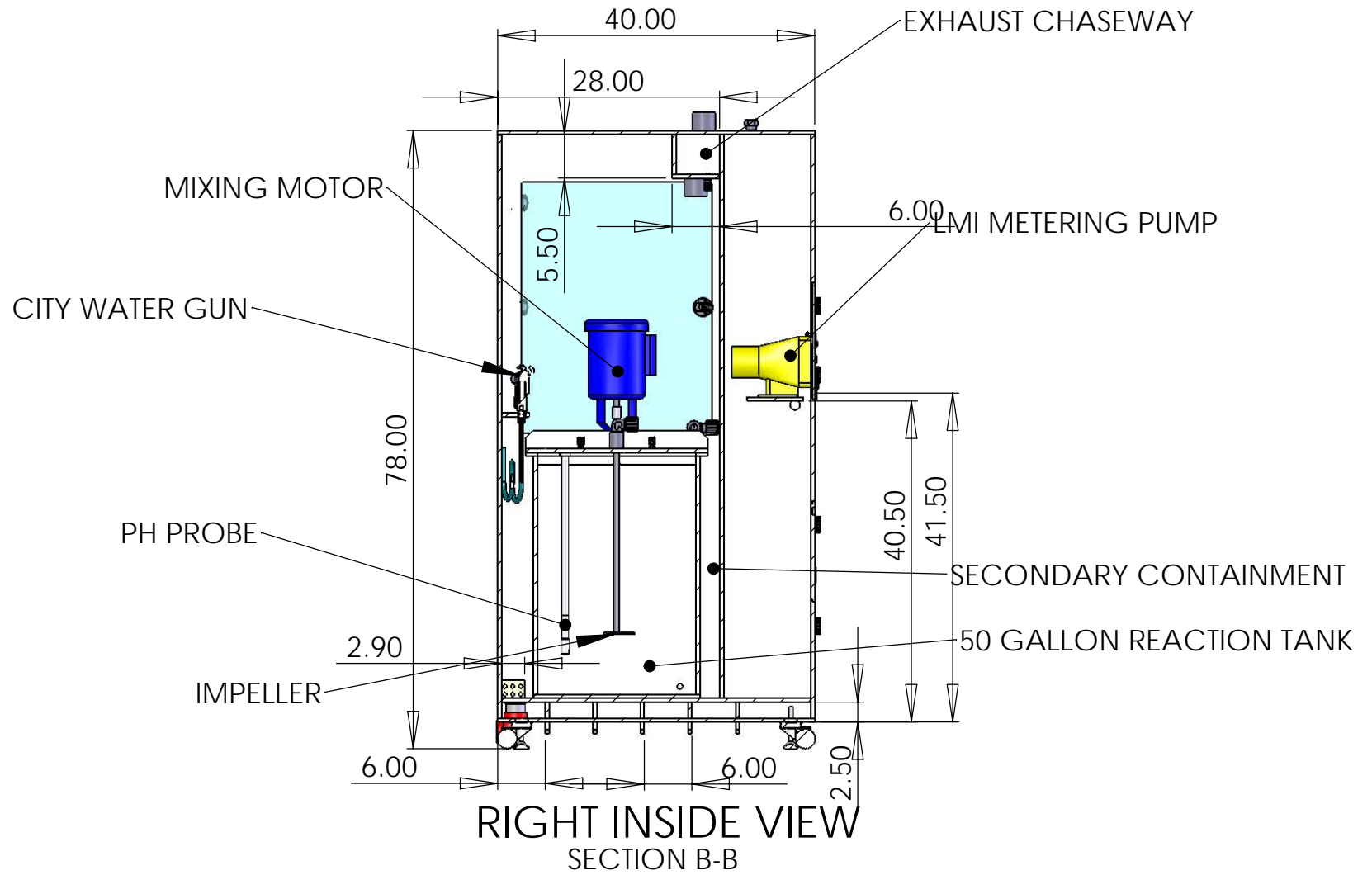
UNLESS OTHERWISE SPECIFIED DIMENSIONS ARE IN INCHES		CAD GENERATED DRAWING, DO NOT MANUALLY UPDATE		Bold Technologies, Inc.	
TOLERANCES ARE:				1455 W. 8120 S.	
FRACTIONS	DECIMALS	ANGLES		West Jordan, UT 84088	
+	± .03	+ 1		NEUTRALIZATION SYSTEM	
MATERIAL WHITE PP		APPROVALS		DATE	
FINISH WELDED/DEBURRED		DRAWN KLM		8/15/08	
DO NOT SCALE DRAWING		CHECKED			
		RESP ENG			
		MFG ENG			
		QUAL ENG			
SIZE A	DWG. NO. 1977 BC	SCALE: 1:20		CAD FILE: 1SW BCS	REV. A
				SHEET 3 OF 11	

THE INFORMATION CONTAINED IN THIS DRAWING IS THE SOLE PROPERTY OF BOLD TECHNOLOGIES, INC. ANY REPRODUCTION IN PART OR WHOLE WITHOUT THE WRITTEN PERMISSION OF BOLD TECHNOLOGIES, INC. IS PROHIBITED.



UNLESS OTHERWISE SPECIFIED DIMENSIONS ARE IN INCHES TOLERANCES ARE: FRACTIONS    DECIMALS    ANGLES +                    ± .03            + 1	CAD GENERATED DRAWING, DO NOT MANUALLY UPDATE		<b>Bold Technologies, Inc.</b> 1455 W. 8120 S. West Jordan, UT 84088	
	APPROVALS	DATE		
	DRAWN KLM	8/15/08	<b>NEUTRALIZATION SYSTEM</b>	
	CHECKED			
	RESP ENG			
MATERIAL WHITE PP	MFG ENG			
FINISH WELDED/DEBURRED	QUAL ENG			
DO NOT SCALE DRAWING		SIZE A DWG. NO. 1977 BC SCALE: 1:20	CAD FILE: 1SW BCS SHEET 4 OF 11	REV. A

THE INFORMATION CONTAINED IN THIS DRAWING IS THE SOLE PROPERTY OF BOLD TECHNOLOGIES, INC. ANY REPRODUCTION IN PART OR WHOLE WITHOUT THE WRITTEN PERMISSION OF BOLD TECHNOLOGIES, INC. IS PROHIBITED.



UNLESS OTHERWISE SPECIFIED  
DIMENSIONS ARE IN INCHES  
TOLERANCES ARE:  
FRACTIONS DECIMALS ANGLES  
+ ±.03 + 1

CAD GENERATED DRAWING,  
DO NOT MANUALLY UPDATE

APPROVALS		DATE
DRAWN	KLM	8/15/08
CHECKED		
RESP ENG		
MFG ENG		
QUAL ENG		

**Bold Technologies, Inc.**  
1455 W. 8120 S.  
West Jordan, UT 84088

**NEUTRALIZATION SYSTEM**

MATERIAL **WHITE PP**  
FINISH **WELDED/DEBURRED**  
DO NOT SCALE DRAWING

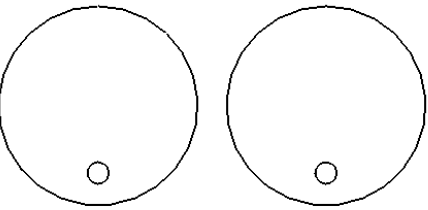
SIZE A	DWG. NO. 1977 BC	REV. A
SCALE: 1:20		CAD FILE: 1SW BCS
		SHEET 5 OF 11

THE INFORMATION CONTAINED IN THIS DRAWING IS THE SOLE PROPERTY OF BOLD TECHNOLOGIES, INC. ANY REPRODUCTION IN PART OR WHOLE WITHOUT THE WRITTEN PERMISSION OF BOLD TECHNOLOGIES, INC. IS PROHIBITED.

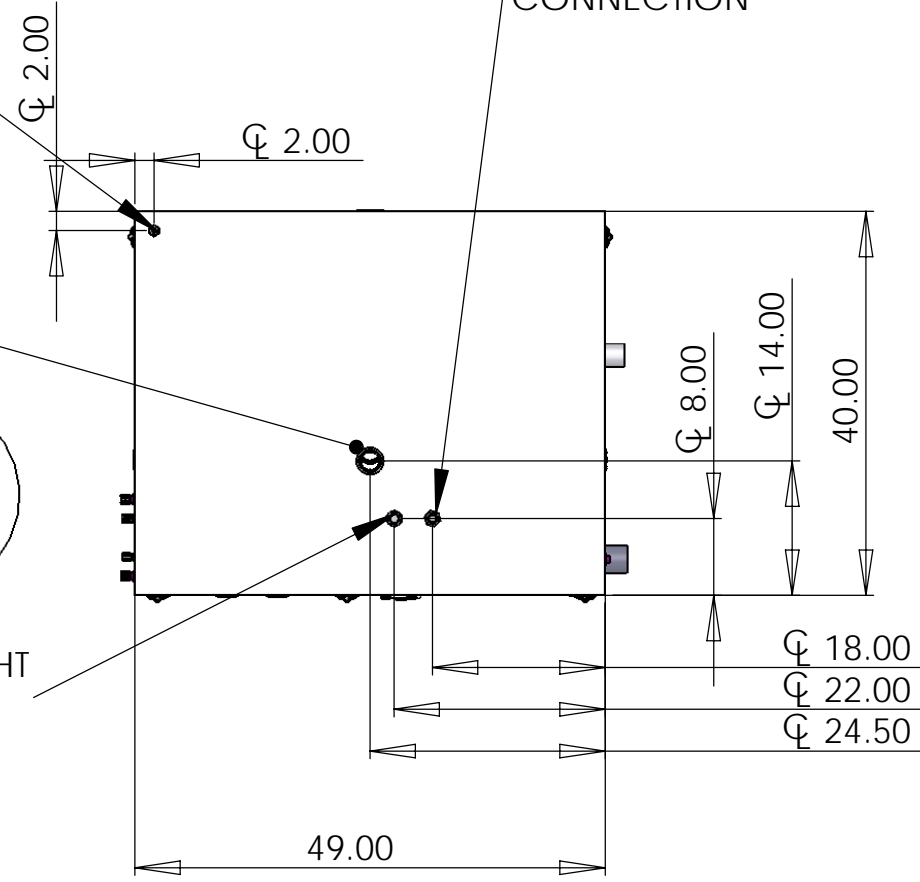
1/2" FLARETEK CONNECTOR  
CITY WATER SUPPLY

ALARM 1/2" LIQUID TIGHT  
CONNECTION

EXHAUST 2" FNPT COUPLER  
CONNECTION



POWER 3/4" LIQUID TIGHT  
CONNECTION

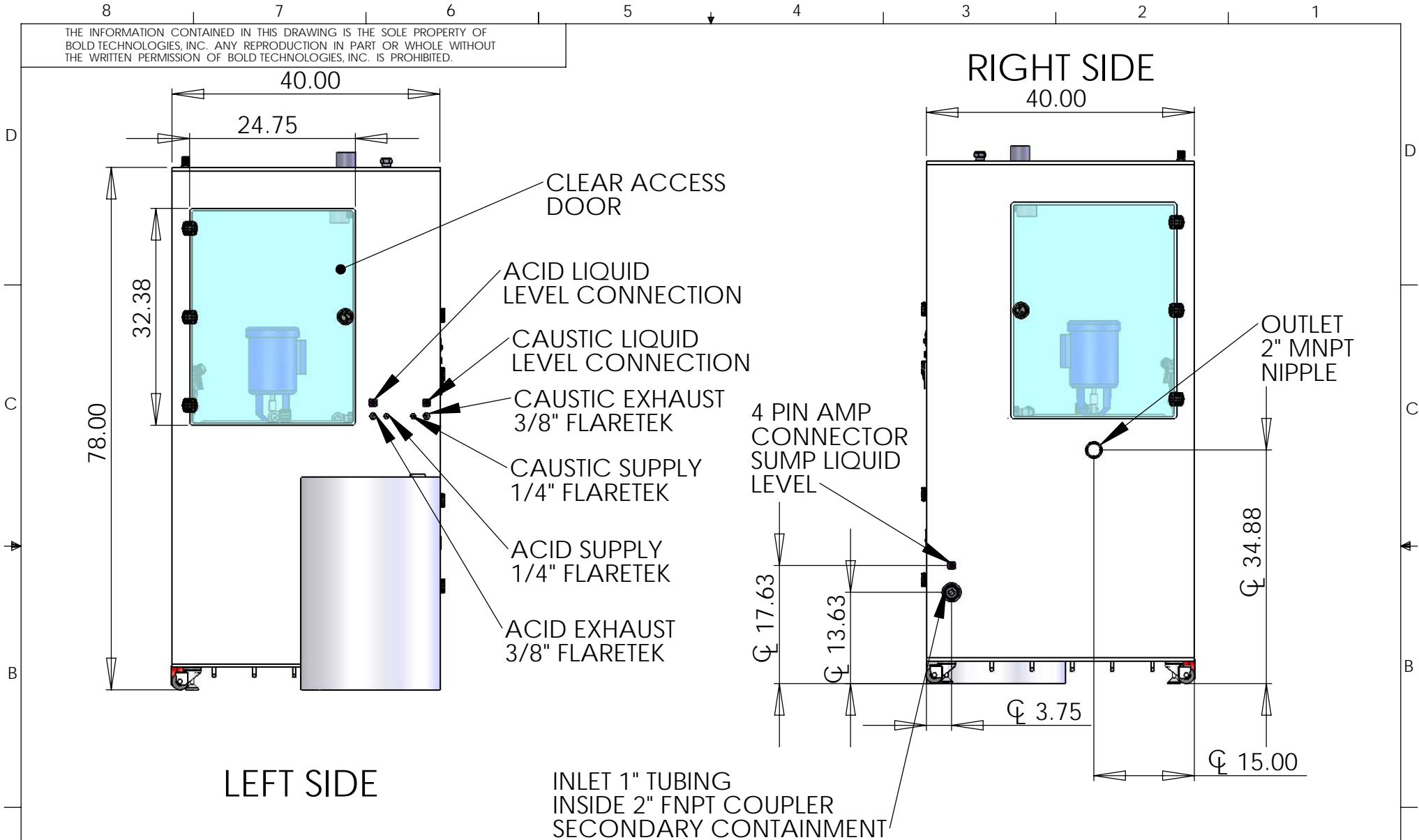


TOP VIEW

UNLESS OTHERWISE SPECIFIED DIMENSIONS ARE IN INCHES TOLERANCES ARE: FRACTIONS    DECIMALS    ANGLES +                   ± .03           + 1	CAD GENERATED DRAWING, DO NOT MANUALLY UPDATE		Bold Technologies, Inc. 1455 W. 8120 S. West Jordan, UT 84088	
	APPROVALS	DATE		
MATERIAL	WHITE PP	DRAWN	KLM	8/15/08
FINISH	WELDED/DEBURRED	CHECKED		
DO NOT SCALE DRAWING		RESP ENG		
		MFG ENG		
		QUAL ENG		
		SIZE	DWG. NO.	REV.
		A	1977 BC	A
		SCALE: 1:20	CAD FILE: 1SW BCS	SHEET 6 OF 11

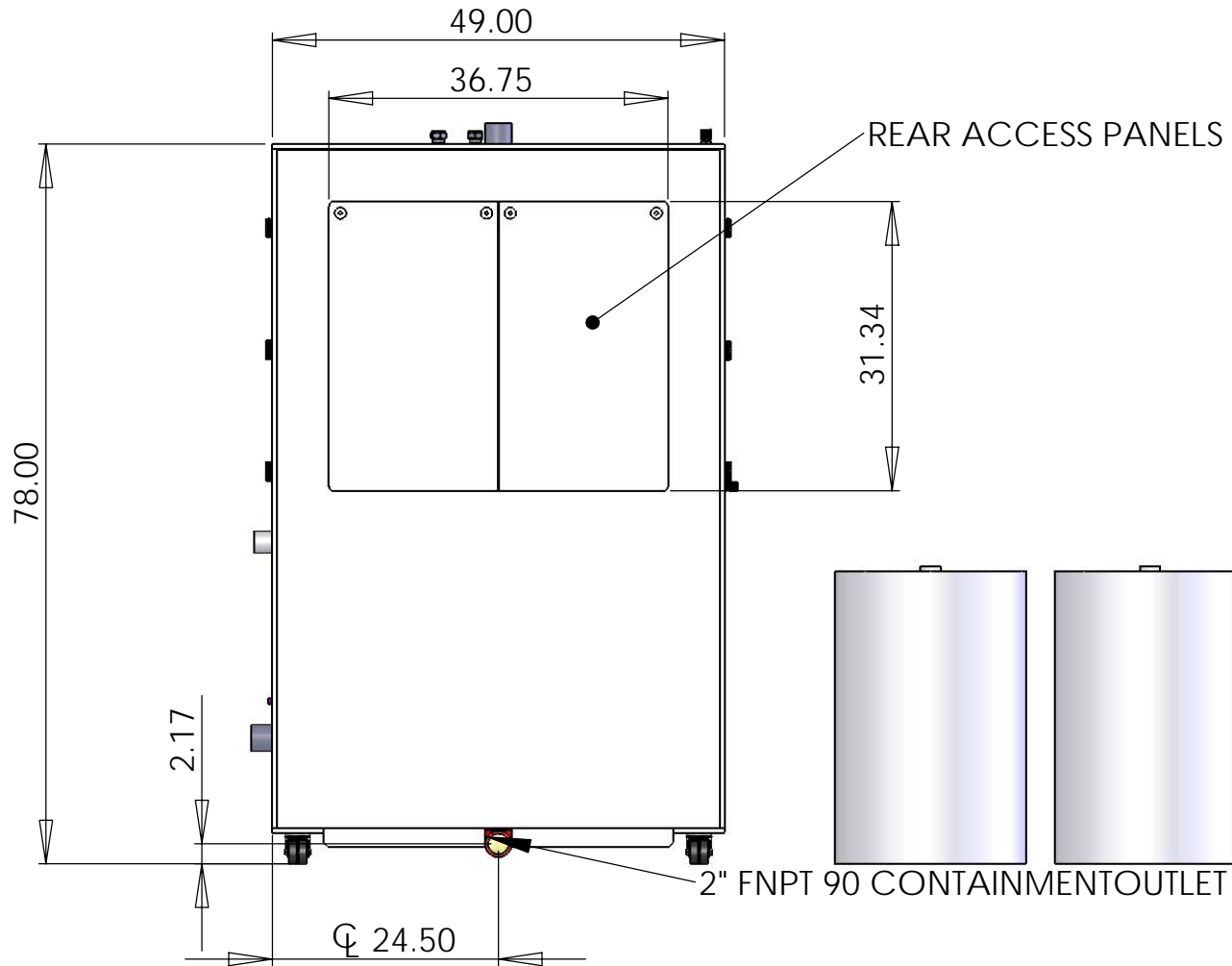
NEUTRALIZATION SYSTEM

THE INFORMATION CONTAINED IN THIS DRAWING IS THE SOLE PROPERTY OF BOLD TECHNOLOGIES, INC. ANY REPRODUCTION IN PART OR WHOLE WITHOUT THE WRITTEN PERMISSION OF BOLD TECHNOLOGIES, INC. IS PROHIBITED.



UNLESS OTHERWISE SPECIFIED DIMENSIONS ARE IN INCHES TOLERANCES ARE: FRACTIONS    DECIMALS    ANGLES +           ±.03           + 1	CAD GENERATED DRAWING, DO NOT MANUALLY UPDATE		Bold Technologies, Inc. 1455 W. 8120 S. West Jordan, UT 84088	
	APPROVALS	DATE	NEUTRALIZATION SYSTEM	
DRAWN KLM	8/15/08	SIZE A		
MATERIAL WHITE PP	CHECKED	SCALE: 1:20		CAD FILE: 1SW BCS
FINISH WELDED/DEBURRED	RESP ENG	SHEET 7 OF 11		
DO NOT SCALE DRAWING	MFG ENG			
	QUAL ENG			

THE INFORMATION CONTAINED IN THIS DRAWING IS THE SOLE PROPERTY OF BOLD TECHNOLOGIES, INC. ANY REPRODUCTION IN PART OR WHOLE WITHOUT THE WRITTEN PERMISSION OF BOLD TECHNOLOGIES, INC. IS PROHIBITED.



BACK VIEW

UNLESS OTHERWISE SPECIFIED DIMENSIONS ARE IN INCHES		CAD GENERATED DRAWING, DO NOT MANUALLY UPDATE		Bold Technologies, Inc. 1455 W. 8120 S. West Jordan, UT 84088		
TOLERANCES ARE:		APPROVALS	DATE			
FRACTIONS	DECIMALS	ANGLES		NEUTRALIZATION SYSTEM		
+	± .03	+ 1				
MATERIAL	WHITE PP	CHECKED		SIZE	DWG. NO.	REV.
FINISH	WELDED/DEBURRED	RESP ENG		A	1977 BC	A
DO NOT SCALE DRAWING		MFG ENG		SCALE: 1:20	CAD FILE: 1SW BCS	SHEET 8 OF 11
		QUAL ENG				

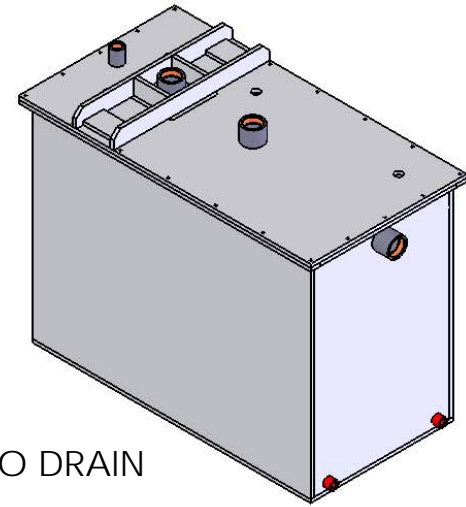
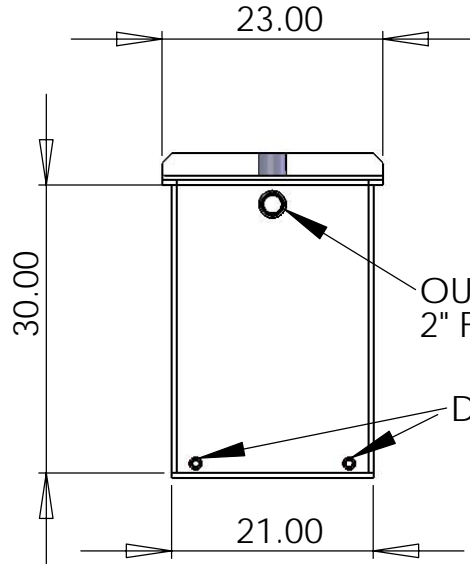
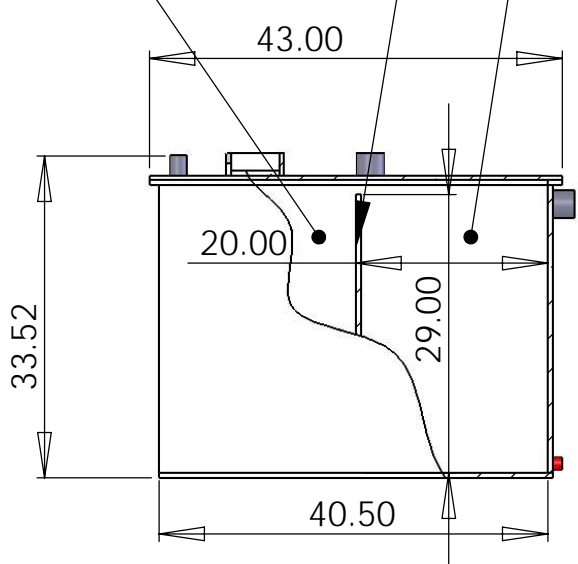


THE INFORMATION CONTAINED IN THIS DRAWING IS THE SOLE PROPERTY OF BOLD TECHNOLOGIES, INC. ANY REPRODUCTION IN PART OR WHOLE WITHOUT THE WRITTEN PERMISSION OF BOLD TECHNOLOGIES, INC. IS PROHIBITED.

REACTION TANK  
50 GALLON

INTERNAL  
DIVIDER

MONITORING TANK  
50 GALLON



OUTLET TO DRAIN  
2" FNPT

DRAIN PORT 1/2" MNPT

## REACTION TANK DETAIL

MIXING MOTOR  
SUPPORT

PROBE PORT 1" FNPT

Ø0.31 THRU

PROBE PORT 1" FNPT

EXHAUST 2" FNPT

INLET PORT 1" FNPT

MOTOR MOUNT 2" FNPT

UNLESS OTHERWISE SPECIFIED  
DIMENSIONS ARE IN INCHES  
TOLERANCES ARE:  
FRACTIONS DECIMALS ANGLES  
+ ±.03 + 1

CAD GENERATED DRAWING,  
DO NOT MANUALLY UPDATE

APPROVALS	DATE
DRAWN KLM	8/15/08
CHECKED	

**Bold Technologies, Inc.**  
1455 W. 8120 S.  
West Jordan, UT 84088

MATERIAL  
**WHITE PP**

FINISH  
**WELDED/DEBURRED**

DO NOT SCALE DRAWING

RESP ENG

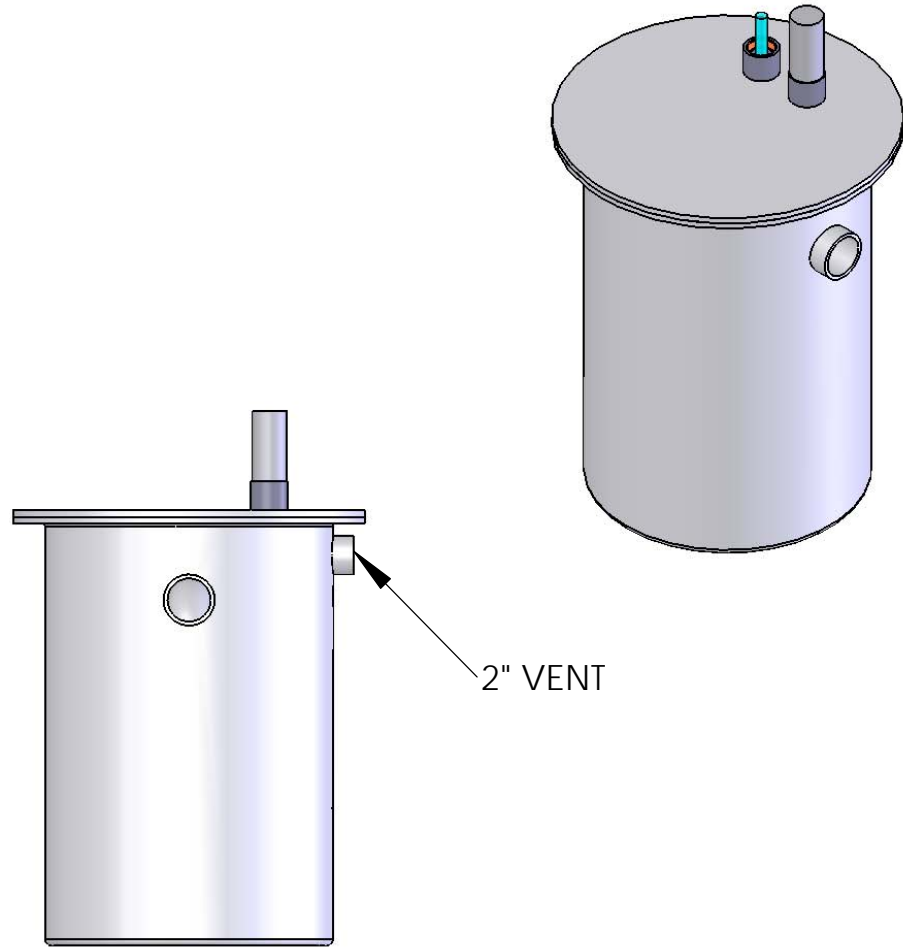
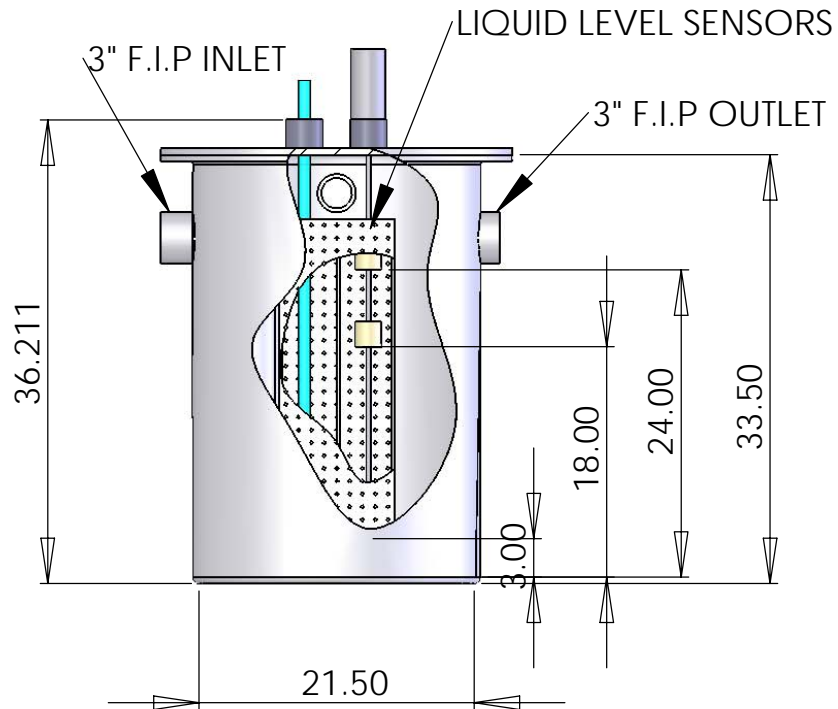
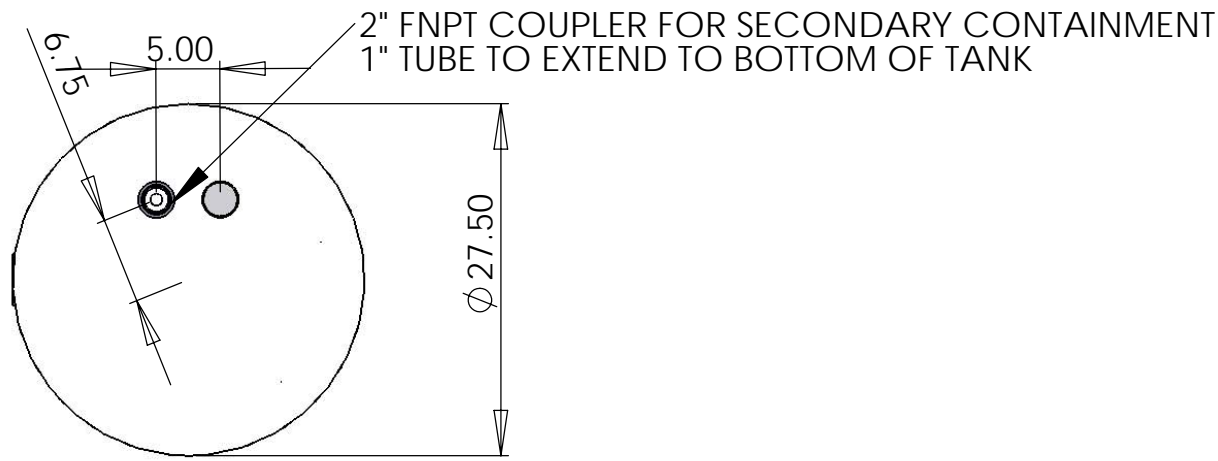
MFG ENG

QUAL ENG

**NEUTRALIZATION SYSTEM**

SIZE	DWG. NO.	REV.
A	1977 BC	A
SCALE: 1:20		CAD FILE: 1SW BCS
		SHEET 9 OF 11

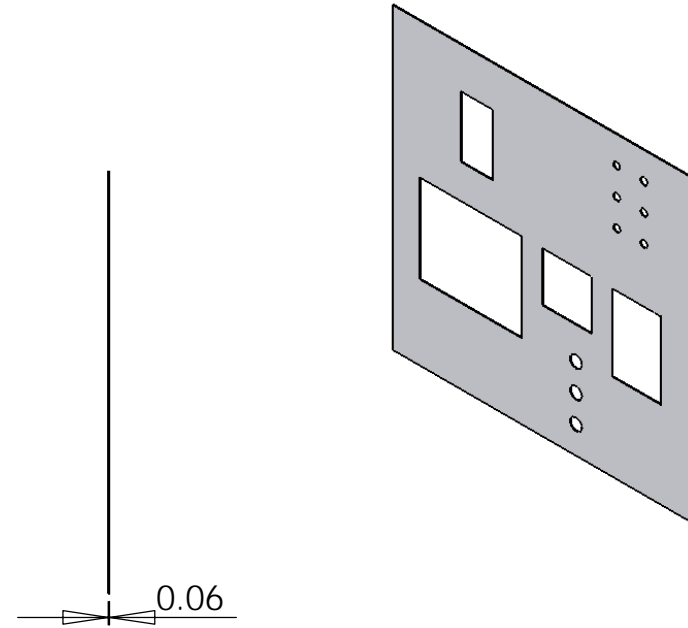
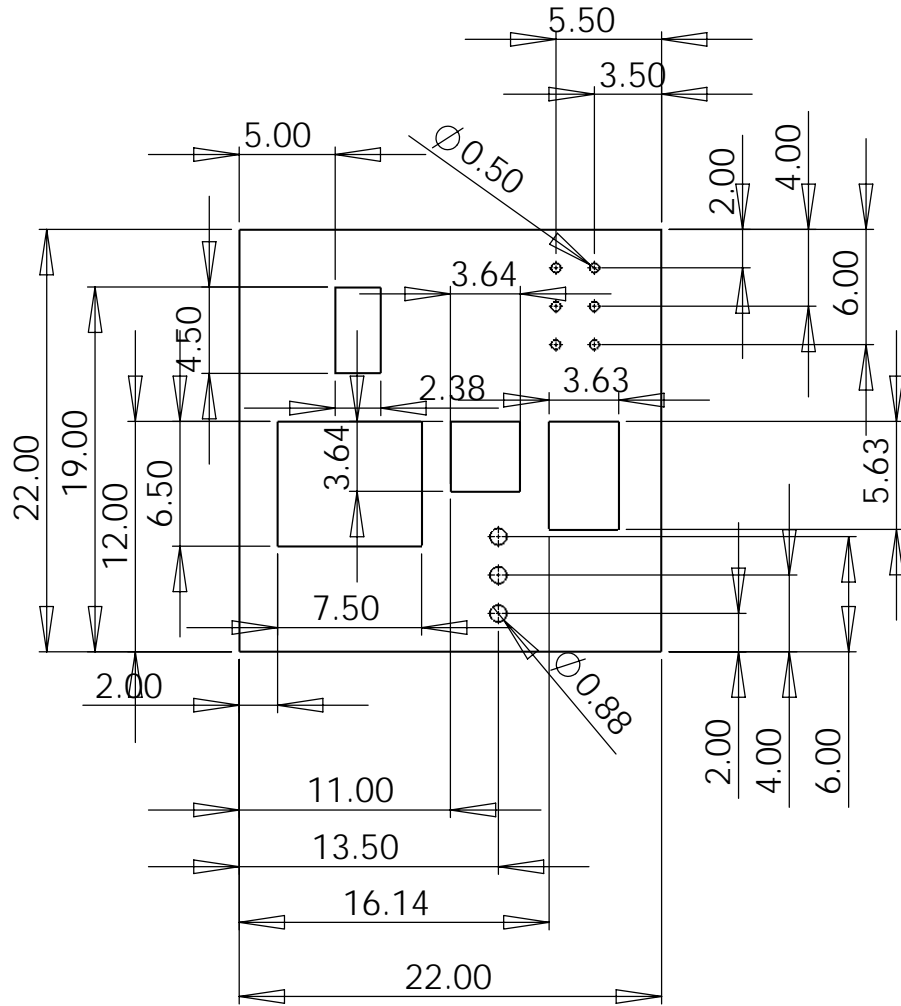
THE INFORMATION CONTAINED IN THIS DRAWING IS THE SOLE PROPERTY OF BOLD TECHNOLOGIES, INC. ANY REPRODUCTION IN PART OR WHOLE WITHOUT THE WRITTEN PERMISSION OF BOLD TECHNOLOGIES, INC. IS PROHIBITED.



# ORION STYLE 5 -55 GALLON TANK

UNLESS OTHERWISE SPECIFIED DIMENSIONS ARE IN INCHES TOLERANCES ARE: FRACTIONS DECIMALS ANGLES + ±.03 + 1	CAD GENERATED DRAWING, DO NOT MANUALLY UPDATE		Bold Technologies, Inc. 1455 W. 8120 S. West Jordan, UT 84088	
	APPROVALS	DATE		
	DRAWN KLM	8/15/08	NEUTRALIZATION SYSTEM	
	CHECKED			
MATERIAL POLYETHYLENE	RESP ENG	SIZE A DWG. NO. 1977 BC REV. A		
FINISH	MFG ENG			
DO NOT SCALE DRAWING	QUAL ENG	SCALE: 1:15 CAD FILE: 1SW BCS SHEET 10 OF 11		

THE INFORMATION CONTAINED IN THIS DRAWING IS THE SOLE PROPERTY OF BOLD TECHNOLOGIES, INC. ANY REPRODUCTION IN PART OR WHOLE WITHOUT THE WRITTEN PERMISSION OF BOLD TECHNOLOGIES, INC. IS PROHIBITED.



UNLESS OTHERWISE SPECIFIED DIMENSIONS ARE IN INCHES TOLERANCES ARE: FRACTIONS DECIMALS ANGLES + ±.03 + 1	CAD GENERATED DRAWING, DO NOT MANUALLY UPDATE		Bold Technologies, Inc. 1455 W. 8120 S. West Jordan, UT 84088		
	APPROVALS	DATE			
MATERIAL	DRAWN KLM	8/15/08	NEUTRALIZATION SYSTEM		
FINISH	CHECKED				
DO NOT SCALE DRAWING	RESP ENG				
	MFG ENG		SIZE A	DWG. NO. 1977 BC	REV. A
	QUAL ENG		SCALE: 1:10	CAD FILE: 1SW BCS	SHEET 11 OF 11