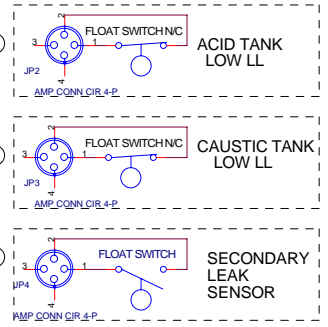
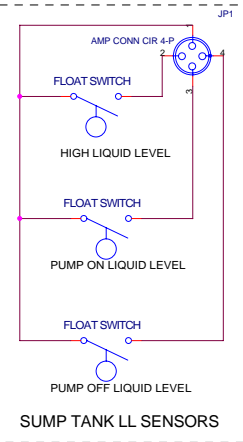
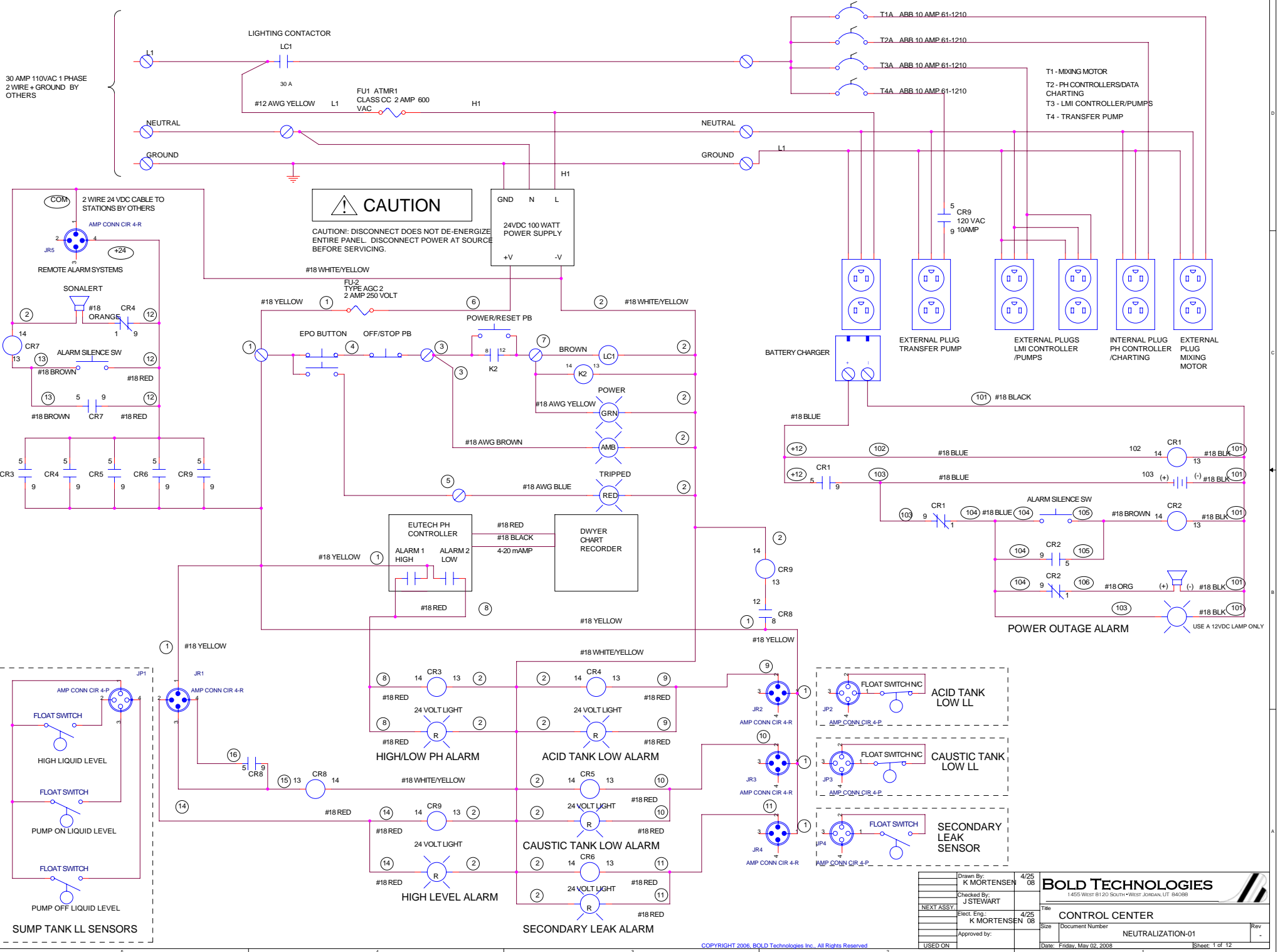


30 AMP 110VAC 1 PHASE  
2 WIRE + GROUND BY  
OTHERS



|              |             |         |
|--------------|-------------|---------|
| Drawn By:    | K MORTENSEN | 4/25 08 |
| Checked By:  | J STEWART   |         |
| Elect. Eng.: | K MORTENSEN | 4/25 08 |
| Approved by: |             |         |
| USED ON:     |             |         |

|   |                       |
|---|-----------------------|
| <b>BOLD TECHNOLOGIES</b>                      |                       |
| 1455 WEST B1 20 SOUTH • WEST JORDAN, UT 84088 |                       |
| Title:  | <b>CONTROL CENTER</b> |
| Size:   | Document Number       |
| Rev:  | NEUTRALIZATION-01     |
| Date:   | Friday, May 02, 2008  |
| Sheet:  | 1 of 12               |