

NAIZAK GLOBAL ENGINEERING SYSTEMS

JetFirst 200C

Technical Manual
CNQLT 110577 / 629

NOMENCLATURE

Component :	JF200C4H4TSPE629	JetFirst 200C 400V			
Level	Component	Designation	Quantity	Type	Mark
1	JF-FRAME.C	FRAME V4	1.0	UN	
2	J534MB1D01D	MECHANICAL FRAME	1.0	UN	
2	J534MB1D02D	ELEC FRAME	1.0	UN	
2	J534MB1D03B	REACTOR COVER	1.0	UN	
2	J534MB1D05B	MECH COVERING SHEET	1.0	UN	
2	J534MB1D06B	ELEC COVERING SHEET	1.0	UN	
2	J534MB1D20A	SUPPORT SHEET	1.0	UN	
2	4180826	SS SCREW CHC M8-16	6.0	UN	
2	4200801	HM8 SS NUT	6.0	UN	
2	4190807	WASHER 8	12.0	UN	
2	4180476	SCREW RLS M 4X12 SS	4.0	UN	
2	2060096	RUBBER FUNNEL DG 69	2.0	UN	
2	2060803	TERMINAL END M5 45°	3.0	UN	
2	J534MR1D16A	SPACER FOR REACTOR COVER	2.0	UN	
2	J534MR1D19A	LOCK STRIKE	1.0	UN	
2	J534MR1D21A	CHAMBER HINGE	2.0	UN	
2	J534MR1D25B	AXIS	2.0	UN	
2	J534MR1D28	HOOK AXIS WASHER	2.0	UN	
2	J534MR1D30A	HUB	2.0	UN	
2	J534MR1D31C	HANDLE ARM	2.0	UN	
2	J534MR1D32	HANDLE	1.0	UN	
2	J534MR1D33A	HANDLE SPRING SUPPORT	2.0	UN	
2	J534MR1D35A	PYRO SUPPORT	1.0	UN	
2	1070168	QUARTZ WINDOW BaF2 Ø10	1.0	UN	
2	1060301	ELECTRO-MAGNETIC LOCK 24Vcc	1.0	UN	
2	1020302	NO PRESS BUTTON	1.0	UN	
2	4140818	GAS SPRING 100N Ø6 L40	2.0	UN	
2	1100723	M6 NUT	2.0	UN	
2	1210192	BIMETAL DISC THERMOSTAT 70°C	1.0	UN	
2	4140820	BEARING 5x16x5	2.0	UN	
2	4180571	SCREW BHc M 5 X 16 SS	3.0	UN	
2	4200501	NUT H M5 SST	6.0	UN	
2	4190502	SS SERRATED LOCKWASHER DE5	6.0	UN	
2	4200501	NUT H M5 SST	4.0	UN	
2	4190502	SS SERRATED LOCKWASHER DE5	4.0	UN	
2	4190513	WASHER M6	3.0	UN	
2	1100781	FOOT M10	4.0	UN	
2	4201001	SS NUT HM10	8.0	UN	
2	4191001	WASHER M10U ,NF E 27-611 IN	8.0	UN	
2	J534MR1D58	RACEWAY	1.0	UN	
2	J534MR1D75	COVER FOOT	4.0	UN	
2	J534MR1D22B	GAS SPRING SUPPORT	2.0	UN	
2	J534MR1D23B	GAS SPRING SUPPORT	2.0	UN	
2	J534MR1D24C	HOOKING PART	2.0	UN	
2	J534MR1D56	CONNECTOR SQUARE	1.0	UN	
2	J534MR1D79	GAS FITTING	1.0	UN	
3	4040031	1/4" VCR MALE NUT	1.0	UN	
3	4040298	1/4" VCR GLAND	1.0	UN	
3	P534MR1D79	RACCORD GAZ	1.0	UN	
2	J534MR1D82	FAN COVER	1.0	UN	
2	1060326	TANGENTIAL FAN Ø60 230V	1.0	UN	
2	J534MB1D23A	HINGE	8.0	UN	
2	J534MB1D24A	HINGE AXIS	4.0	UN	
2	4100195	ROTOR	5.0	UN	
2	4100196	CAME H3.5mm	5.0	UN	
2	4180411	SS SCREW CHC M4-8	16.0	UN	
2	4190412	RONDELLE CONTACT M 4 striée IN	16.0	UN	
2	J534MR1D20E	ARM	2.0	UN	
2	J534MR1D29C	CAME RESSORT POIGNEE	2.0	UN	
2	J534MR1D81A	FAN SUPPORT	1.0	UN	
2	2050721	MOUNT-CABLE TIE TM2 S6 M	6.0	UN	

2	J534MR1D08A-DROITE	CHARNIERE DROITE	1.0	UN	
2	J534MR1D08A-GAUCHE	CHARNIERE GAUCHE	1.0	UN	
2	J534MR1D26A-DROIT	RIGHT HOOK	1.0	UN	
3	J534MR1D26A	LEFT/RIGHT HOOK	1.0	UN	
4	J534MR1D26A/NONPERCE	LEFT/RIGHT HOOK	1.0	UN	
2	J534MR1D26A-GAUCHE	LEFT HOOK	1.0	UN	
3	J534MR1D26A	LEFT/RIGHT HOOK	1.0	UN	
4	J534MR1D26A/NONPERCE	LEFT/RIGHT HOOK	1.0	UN	
2	J534MR1D53A-DROITE	RIGHT ANGLE SQUARE	1.0	UN	
2	J534MR1D53A-GAUCHE	LEFT ANGLE SQUARE	1.0	UN	
2	4190805	RONDELLE NYLON M 8	2.0	UN	
1	JF-REAC-200C.C	REACTOR 200 V4	1.0	UN	
2	J534MR1D14	HINGE SUPPORT	2.0	UN	
2	J534MR1D37A	PLATEN SPACER	6.0	UN	
2	J534MR1D12A	CONNECTION BUSHING	9.0	UN	
2	J5STQ24	QUARTZ WINDOW Ø280x12	1.0	UN	
2	1070161	HALOGEN LAMP 480V 6000W	18.0	UN	
2	J534MR1D45	TC PLUG TAP	4.0	UN	
2	J534MR1D01C	CHAMBER 200	1.0	UN	
2	J534MR1D04C	REFLECTEUR 200	1.0	UN	
2	J534MR1D05B	REFLECTOR SIDE 200	2.0	UN	
2	J534MR1D36	TC CONNECTOR	3.0	UN	
3	7350502.A	CONNECTEUR Ø1/4 LISSE Ø2.2	3.0	UN	
4	4040511	Adapter 1/4 x 1/16	3.0	UN	
3	P534MR1D36	RACCORD TC	3.0	UN	
2	J534MR1D52	TOP FLANGE SPACER 200	2.0	UN	
2	J534MR1D76	PLATEN 200	1.0	UN	
2	J534MR1D80	PLATEN RING 200	1.0	UN	
2	J5STJ07	TC PLUG TAP	3.0	UN	
3	4120179	Baguette inox diam 2 lg2ml	0.1	UN	
2	1060284	TANGENTIAL FAN Ø30 24V	3.0	UN	
2	4140856	GAS SPRING 450N Ø8 L100	2.0	UN	
2	4080375	Viton O-ring 3.53 x 304.39	1.0	UN	
2	4080364	Viton O-ring 2.62 x 004.42	7.0	UN	
2	1050172	CONNECTOR	1.0	UN	
2	4080375	Viton O-ring 3.53 x 304.39	1.0	UN	
2	4080015	Viton O-ring 2.62 x 221.92	1.0	UN	
2	4080420	VITON O-RING 2.62 x 31.42	1.0	UN	
2	J534MR1D06C	REFLECTOR COVER 200	1.0	UN	
2	J534MR1D46A	CONNECTOR INSULATOR	2.0	UN	
2	J534MR1D92A	ISOLANT BORNIERES DOUBLE	2.0	UN	
2	J534MR1D55A	ISOLANT BORNIERES SIMPLE	2.0	UN	
2	J534MR1D93A	BORNIER 3 LAMPES	12.0	UN	
2	J534MR1D94A	LIAISON PONT ENTRAXE 133	2.0	UN	
2	J534MR1D95A	LIAISON 6 TROUS ENTRAXE 19	1.0	UN	
2	J534MR1D96A	LIAISON 3 TROUS ENTRAXE 19	6.0	UN	
2	J534MR1D97A	ENTRETOISE EP6.3	12.0	UN	
2	J534MR1D91A	CAPOT LAMPES 200	1.0	UN	
2	J534MR1D51A	TOP FLANGE 200	1.0	UN	
3	J534MR1D51	TOP FLANGE 200	1.0	UN	
2	J534MR1D57A	BOX SUPPORT SQUARE	2.0	UN	
2	J534MR1D59A	EXHAUST BOX 200	1.0	UN	
2	J534MR1D77A	PLATEN COVER 200	1.0	UN	
2	J534CG1D18A	GAS INLET TUBING 200	1.0	UN	
3	4120043	SS TUBING Ø1/4"	1.2	MT	
3	4040298	1/4" VCR GLAND	2.0	UN	
3	Q699182500	1/4" VCR FEMALE NUT	2.0	UN	
2	2050864	CONNECTEUR compact serie ST 2P	1.0	UN	
2	2050863	CONNECTEUR compact serie ST 2P	1.0	UN	
2	4080062	Viton O-ring 2.62 x 20.29	2.0	UN	
1	JF-ORINGN-200C.A	O-RING NEOPRENE	1.0	UN	
2	4080551	Neoprene O-ring 3.53 x 278.99	1.0	UN	
2	4080552	Neoprene O-ring 3.53 x 304.39	1.0	UN	
2	4080553	Neoprene O-ring 2.62 x 005.23	12.0	UN	
2	4080554	Neoprene O-ring 2.62 x 017.12	12.0	UN	

2	4080555	Neoprene O-ring 2.62 x 013.94	1.0	UN	
2	4080556	Neoprene O-ring 2.62 x 040.94	1.0	UN	
2	4080557	Neoprene O-ring 1.00 x 001.50	6.0	UN	
1	JF-SPP.G	SPARE PARTS	1.0	UN	
2	J5STM04A	Thermocouple with connector lg	3.0	UN	
2	4050612	REDUCER mm/pouce Ø6-1/4	1.0	UN	
2	J5STP121	BEVELED QUARTZ PIN H12	4.0	UN	
2	J5STP122	END QUARTZ PIN H16	4.0	UN	
2	J5STP120	quartz pins for 6" wafer or 2"	3.0	UN	
2	J5STP123	Picot punaise H6	3.0	UN	
1	JF-PYRO-HT.A	PYRO HT	1.0	UN	
2	0110315	Pyro IN 5/5 100-1300 optic 100	1.0	UN	
2	2010431	Pyrometer cable lg5m	1.0	UN	
1	JF-PC-E.B	PC GB	1.0	UN	
2	0110384	COMPUTER + QWERTY KEYBOARD	1.0	UN	
2	0110430	ECRAN TFT LCD 19"	1.0	UN	
2	2010434	SUBD9 M/F CORD - 6M	1.0	UN	
2	2051164	Bloc prise 3PC 2P+T cordon1.5m	1.0	UN	
1	JF-WATER.D	WATER V4	1.0	UN	
2	4010467	SOLENOID VALVE NC G1/2	1.0	UN	
3	4010466	SOLENOID VALVE NC G1/2 MANU DR	1.0	UN	
3	1030650	SOLENOID 24VDC	1.0	UN	
2	3040168	CONTROLEUR DE DEBIT D'EAU	1.0	UN	
2	3040121	PRESSURE REGULATOR 1/2	1.0	UN	
2	3060098	Manometer Ø50 1/4M 0-6b	2.0	UN	
2	4030153	Bronze filter type PN16 1/2 me	1.0	UN	
2	4050614	SPLINED END A19	2.0	UN	
2	4050615	FEEDTHROUGH A90 1/2	2.0	UN	
2	4050616	CONIC NIPPLE A2 1/2	4.0	UN	
2	4050617	CONIC MALE SQUARE TEE	2.0	UN	
2	4050618	CONIC MALE SQUARE	4.0	UN	
2	4050619	MALE RIGHT TAPPING	2.0	UN	
2	4120187	POLYURETHANE TUBE Ø8/10	5.0	MT	
2	4320016	LOCTITE OLEOETANCHE	1.0	UN	
2	4100133	TEFLON BAND	1.0	UN	
2	2010322	ELECTROVALVE CORD 24Vac/dc	1.0	UN	
2	4050628	Té MFF A13 1/2 1/2	1.0	UN	
2	4050352	REDUCER MALE-FEMALE 1/2 1/4	1.0	UN	
1	JF-PNEU.A	PNEUMATIC	1.0	UN	
2	4010433	ELECTRO-PNEUMATIC MODULE 3/2NC	3.0	UN	
3	4010054	ELECTRO VALVE 24V	3.0	UN	
3	4010055	ELECTRO-PNEUMATIC MODULE 3/2NC	3.0	UN	
2	4010370	END MODULE PS1E101 SIMPLE	1.0	UN	
2	3040085	PRESSURE SWITCH	1.0	UN	
2	4010056	24V SIGNAL MODULE	3.0	UN	
2	4050164	PNEUMATIC FITTING R10 Ø6	1.0	UN	
2	4050151	PNEUMATIC FITTING R5 Ø6 TEE	1.0	UN	
2	4050613	REDUCER R8 MALE Ø6 FEM Ø4	1.0	UN	
2	4120155	POLYURETHANE PIPE Ø2.5/4 BLUE	3.0	MT	
2	4120156	POLYURETHANE PIPE Ø4/6 BLUE	1.0	MT	
2	4050201	PNEUMATIC FITTING RL31 Ø4 1/8	2.0	UN	
2	4050621	ROTATING ELBOW R31 Ø4-M5	1.0	UN	
1	JF-4GASLINE.C	4 GAS LINE	1.0	UN	
2	J534CG1D02A	VALVE SPACER	8.0	UN	
2	4040227	SWAGELOK TUBE FITTING CONNECTO	1.0	UN	
2	Q699183400	1/4" VCR GASKET	7.0	UN	
2	ET21SP-FM	E VALVE MT 2W ¼"	4.0	UN	
2	Q576011	TF 25 FILTER	4.0	UN	
2	DO22SE-FM	D VALVE NO 2W ¼"	1.0	UN	
2	4010433	ELECTRO-PNEUMATIC MODULE 3/2NC	4.0	UN	
3	4010054	ELECTRO VALVE 24V	4.0	UN	
3	4010055	ELECTRO-PNEUMATIC MODULE 3/2NC	4.0	UN	
2	4010056	24V SIGNAL MODULE	4.0	UN	
2	4050201	PNEUMATIC FITTING RL31 Ø4 1/8	4.0	UN	
2	4120155	POLYURETHANE PIPE Ø2.5/4 BLUE	4.0	MT	

2	4040227	SWAGELOK TUBE FITTING CONNECTO	4.0	UN	
2	Q699183400	1/4" VCR GASKET	20.0	UN	
2	DC34SE-FMF	D VALVE NC 3W ¼"	4.0	UN	
2	4180426	SS SCREW CHC M4-16	10.0	UN	
2	4190404	SS WASHER M4	20.0	UN	
2	4180416	SS SCREW CHc M4-10	8.0	UN	
2	4190404	SS WASHER M4	8.0	UN	
2	4180526	SS SCREW CHC M5-16	10.0	UN	
2	4190501	FLAT WASHER M5 SST	20.0	UN	
2	J534CG1D05	GAS PLATE	1.0	UN	
2	J534CG1D02A	VALVE SPACER	2.0	UN	
2	J534CG1D08A	PURGE LINE TUBING	1.0	UN	
3	4040298	1/4" VCR GLAND	2.0	UN	
3	Q699182500	1/4" VCR FEMALE NUT	2.0	UN	
3	4120043	SS TUBING Ø1/4"	0.1	MT	
2	ET21SP-FM	E VALVE MT 2W ¼"	1.0	UN	
2	Q576011	TF 25 FILTER	1.0	UN	
2	4020251	NEEDLE VALVE	1.0	UN	
2	4180526	SS SCREW CHC M5-16	4.0	UN	
2	4190501	FLAT WASHER M5 SST	8.0	UN	
2	4200501	NUT H M5 SST	4.0	UN	
1	JF-MFC-AOFM.A	MFC (Ar/O2/N2H2-4%/NH3)	1.0	UN	
2	500CVFM002L004H-R	AFC50 NC Viton digit 2slmAr	1.0	UN	
2	500CVFM002L015H-R	AFC50 NC Viton digit 2slmO2	1.0	UN	
2	500CVFM002L544H-R	AFC50 NC Viton digit 2slm N2H2	1.0	UN	
2	500CNFM002L029H-R	AFC50 NC Néoprène digit 2slm	1.0	UN	
2	2040010	SUB D CONNECTOR	4.0	UN	
2	2040104	METALLIC CAP FOR SUBD 15PTS	4.0	UN	
2	2010363	SHIELDED CABLE 2x 0.25mm²	8.0	UN	
2	2050727Q	CONNECTOR RJ11 6/6	1.0	UN	
2	2010280Q	CABLE TELEPHON. PLAT 6 VOIES	2.0	UN	
2	2040001	MALE 9 PTS SUB D CONNECTOR	1.0	UN	
2	2040060	METALLIC CAP FOR SUBD 9PTS	1.0	UN	
2	2050727Q	CONNECTOR RJ11 6/6	6.0	UN	
2	2010280Q	CABLE TELEPHON. PLAT 6 VOIES	0.6	UN	
1	JF-TURBO-PC-200C.D	TURBO + PRESSURE CONTROL	1.0	UN	
1	JF-PUMP-SH16.A	SCROLL PUMP SH110	1.0	UN	
2	3100233	SCROLL PUMP SH110 230Vac	1.0	UN	
2	2010439	250V 10A CORDSET 2.5m	1.0	UN	
2	4070338	CENTERING RING SS QF16	1.0	UN	
2	4070334	QUICK CONNECT CLAMP DN 16 KF	1.0	UN	
2	4070536	REDUCTION KF25/16 conique inox	1.0	UN	
2	4070454	CENTERING RING SS QF25	1.0	UN	
2	4070453	ALUMINUM FAST CLAMP QF25	1.0	UN	
1	9950360.A	KIT VACUUM NEOPRENE O-RING	1.0	UN	
2	4080558	Neoprene O-ring 1.78 x 014.00	1.0	UN	
2	4080559	Neoprene O-ring 5.00 x 018.00	12.0	UN	
2	4080560	Neoprene O-ring 5.00 x 028.00	5.0	UN	
2	4080561	Neoprene O-ring 5.00 x 042.00	8.0	UN	
1	9990399-629.A	JETFIRST 200C 400V NAIZAK	1.0	UN	
2	9040089.B	JETFIRST100-200 ELECTROTECH.	1.0	UN	
3	1120029	CONTROLER PCD3-M5540	1.0	UN	A1
3	2051112	INPUT/OUTPUT TERMINAL BLOCK	7.0	UN	A1
3	1120035	MODULE 7AI 12bits 0-10V	1.0	UN	A1-4
3	1120040	MODULE 8E 12bits 0-10V 0(4)-20	1.0	UN	A1-2
3	2051113	INPUT/OUTPUT TERMINAL BLOCK	1.0	UN	A2
3	1120033	MODULE,2DI+2DO+4DI/DO 24Vdc	1.0	UN	A1-3
3	1120037	EXTENSION UNIT 4 MODULES	1.0	UN	A2
3	1120038	PCD3 TO PCD3 CONNECTOR	1.0	UN	A2
3	1120032	MODULE,8 Dig.Inputs 24Vdc	1.0	UN	A2-1
3	1120031	MODULE,8 Dig.Outputs 24Vdc	1.0	UN	A2-2
3	1120036	MODULE 4AO 12bits 0-10V	1.0	UN	A2-3
3	1120036	MODULE 4AO 12bits 0-10V	1.0	UN	A2-4
3	1060278	SOLID STATE RELAY TE10A/50A/23	3.0	UN	A4-->A6
3	2010415	BLACK WIRE 35mm²	5.0	UN	

3	2010421	35mm ² WIRE G/Y	2.0	UN	
3	2010115	WIRE 10mm ² Black	12.0	UN	
3	2060590	CABLE END 10mm ² BROWN	45.0	UN	
3	1020249	BODY with 1NC CONTACT	1.0	UN	ES1
3	1070132	PUSH-TURN HEAD Ø40 RED	1.0	UN	ES1
3	1080568	STICKER "Emergency stop"	1.0	UN	ES1
3	1020273	"EMERGENCY STOP" PUSH-BUTTON G	1.0	UN	ES1
3	1030584	3P CONTACTOR 50A 24Vdc	3.0	UN	KM2->KM4
3	1030391	CIRCUIT BREAKER 2P 50A D Curve	3.0	UN	Q02/03/04
3	1020247	PUSH BUTTON BODY	1.0	UN	S1
3	1070135	PUSH BUTTON HEAD	1.0	UN	S1
3	0140282	DC SUPPLY 85/265Vac/ 24Vdc 3A	1.0	UN	U1
3	0140170	DC SUPPLY 36W 2x15V UL	1.0	UN	U2
3	2051050	50mm ² GREY TERMINAL BLOCK	3.0	UN	X1
3	2051051	50mm ² BLUE TERMINAL BLOCK	1.0	UN	X1
3	2051052	50mm ² G/YTERMINAL BLOCK	1.0	UN	X1
3	2051053	END CLAMPS	1.0	UN	X1
3	1040121	CURRENT TRANSDUCER APR50B10	2.0	UN	CD11/CD12
3	1040121	CURRENT TRANSDUCER APR50B10	2.0	UN	CD21/CD22
3	1040121	CURRENT TRANSDUCER APR50B10	2.0	UN	CD31/CD32
3	3080177	RKC T° REGULATOR	1.0	UN	A9
3	1050216	RELAY 24Vdc 1RT :PLC-RSC- 24DC	4.0	UN	K1->K4
3	2060734	CABLE GLAND ISO50	1.0	UN	PE-M50
3	1050143	RELAY 24Vdc 1RT :PLC-RSC- 24DC	2.0	UN	K5->K6
3	2060742	LOCKNUT M50 NICKEL PLATED BRAS	1.0	UN	PE-M50
3	1030635	10A CIRCUIT BREACKER B CURVE	1.0	UN	Q05
3	1030186	EARTH STRIP 2P FOR C60 30mA 25	1.0	UN	Q05/U
3	2010056	WIRE 10mm ² Green/Yellow	10.0	UN	
3	2010419	HT° WIRE Black 10mm ² silicon	25.0	MT	
3	2051097	SHIELDED JUNCTION SK8	10.0	UN	X-PIMS
3	2051099	SHIELD SUPPORT AB-SK65	2.0	UN	
3	2050546	sockets 10-16A 220v	1.0	UN	XS02
3	2060592	CABLE END 25mm ² BLACK	10.0	UN	
3	1060191	FAN 120x120 24VDC	1.0	UN	FAN1
3	2060735	Cable gland ISO20	1.0	UN	PE-M20
3	2060743	LOCKNUT M20 NICKEL PLATED BRAS	1.0	UN	PE-M20
3	1030500	3P CONTACTOR (AC3)6A 24Vdc	1.0	UN	KM1
3	2040001	MALE 9 PTS SUB D CONNECTOR	1.0	UN	X-PIMS
3	2040002	FEMALE 9PTS SUB D CONNECTOR	1.0	UN	X-PIMS
3	2040060	METALLIC CAP FOR SUBD 9PTS	1.0	UN	X-PIMS
3	2050846	T/C K rectangular Plug	3.0	UN	XSTC1/2/3
3	1030634	FAST CIRCUIT BREAKER 3A	2.0	UN	Q12->Q13
3	2050878	2cts Female connector(body)	1.0	UN	X-FAN1
3	2050881	2cts Male connector(body)	1.0	UN	X-FAN1
3	2050880	4cts female connector(body)	1.0	UN	CVV
3	2050883	4cts male connector(body)	1.0	UN	CVV
3	2051167	PARTITION PLATE	3.0	UN	XL
3	1160128	FIRM PLATE	1.0	UN	
3	2010370	SHIELDED CABLE 4x 0.25mm ²	50.0	UN	
3	2060451	TUBULAR TERMINAL 10mm ² Ø6	10.0	UN	
3	2060392	SUB.D LOCK	1.0	UN	X-PIMS
3	2060082	FEMALE CONTACT Ø2.36mm	4.0	UN	CVV
3	2060083	MALE CONTACT Ø2.36mm	4.0	UN	CVV
3	2060083	MALE CONTACT Ø2.36mm	2.0	UN	X-FAN1
3	2060082	FEMALE CONTACT Ø2.36mm	2.0	UN	X-FAN1
3	2050287	BUSBAR	0.2	UN	
3	2050814	END CLAMPS for DIN rail	2.0	UN	
3	1060054	FINGER PROTECTION FAN 119x119m	2.0	UN	FAN1
3	1030244	D-CURVE 2A CIRCUIT BREAKER	1.0	UN	Q06
3	0210038	T/C K-->U or I Converter	3.0	UN	TC1/2/3
3	1050247	RT RELAYS 24Vdc	1.0	UN	K12
3	1050248	RT RELAYS 24Vdc	1.0	UN	K12
3	2051217	CONNECTING COMB 2.5 ² 12 BLOC	2.0	UN	XS/XOV/X24
3	2051198	CONNECTING COMB 10 ² 12 BLOCS	2.0	UN	XS/XOV/X24
3	2051210	GREY TERMINAL 3 BLOCK	26.0	UN	

3	2051214	PARTITION PLATE	4.0	UN	
3	2051215	CONNECTING COMB 2.5 ² 12 BLOC	2.0	UN	
3	2051216	CONNECTING COMB 2.5 ² 12 BLOC	2.0	UN	
3	2051165	35mm² GREY TERMINAL BLOCK	3.0	UN	XL
3	1030694	AUXILLIARY CONTACT	3.0	UN	Q02/03/04
2	9040089-POMPE-3A.A	Pump kit 3A	1.0	UN	
3	1030390	CIRCUIT BREAKER 2P 3A D Curve	1.0	UN	Q07
3	2050352	MODULAR TERMINAL BLOCK PIK 4-P	1.0	UN	XM
3	2050193	PARTITION PLATE	1.0	UN	XM
3	2050194	END CLAMPS	1.0	UN	XM
3	2051096	MARKER HOLDER KLM	1.0	UN	XM
3	1030694	AUXILLIARY CONTACT	1.0	UN	Q07
2	9040089-TURBO.A	JETFIRSTNew ELECTROTECH.	1.0	UN	
3	1120033	MODULE,2DI+2DO+4DI/DO 24Vdc	1.0	UN	A1-1
3	2051112	INPUT/OUTPUT TERMINAL BLOCK	1.0	UN	A1-1
3	1030390	CIRCUIT BREAKER 2P 3A D Curve	1.0	UN	Q08
3	2010370	SHIELED CABLE 4x 0.25mm²	2.0	UN	WTCS-WTGV
3	2050880	4cts female connector(body)	2.0	UN	TGV/FPV
3	2050883	4cts male connector(body)	2.0	UN	TGV/FPV
3	2060082	FEMALE CONTACT Ø2.36mm	8.0	UN	TGV/FPV
3	2060083	MALE CONTACT Ø2.36mm	8.0	UN	TGV/FPV
3	1030634	FAST CIRCUIT BREAKER 3A	1.0	UN	Q11
3	2051097	SHIELED JUNCTION SK8	5.0	UN	
2	9040089-CONS.A	JETFIRSTNew ELECTROTECH.	1.0	UN	
3	1080115	MARKER HOLDER	400.0	UN	
3	1080209	CABLE MARKER 4 to 16MM2	16.0	UN	
3	1080291	STICKER FOR EARTH	6.0	UN	
3	1100164	OMEGA RAIL EN50 022 35X7.5 NS3	0.7	UN	
3	1100664	G DIN RAIL	1.0	MT	
3	1100668	35mm x 15mm OMEGA RAIL	2.0	UN	
3	2010408	WIRE 1.5mm2 ORANGE	10.0	UN	
3	2010052	WIRE 1.5mm2 BLACK	30.0	UN	
3	2010077	1.5 mm2 GREEN/YELLOW WIRE	10.0	UN	
3	2010097	WIRE 1.5mm² VIOLET	2.0	UN	
3	2010407	WIRE 0.75mm² IVOIRE	100.0	UN	
3	2010095	WIRE 1.5mm² WHITE	2.0	UN	
3	2010445	WIRE 0.75mm² VIOLET	30.0	UN	
3	2010225	WIRE 0.75mm² BLACK	10.0	UN	
3	2010252	WIRE 0.75mm² DARK BLUE	100.0	UN	
3	2010363	SHIELED CABLE 2x 0.25mm²	50.0	UN	
3	2010261	TYPE K COMPENSATED CABLE CEI58	6.0	UN	
3	2010409	WIRE 1.5mm2 BLUE	2.0	UN	
3	2060780	CABLE END 2x10mm² RED	10.0	UN	
3	2010163	HIGH TEMPERATURE CABLE	2.0	UN	WTS
3	2010370	SHIELED CABLE 4x 0.25mm²	10.0	UN	
3	2010460	CABLE 3x 0.25² LIYY	9.0	UN	
3	2060259	CABLE END FOR 0,75mm2 WIRES	300.0	UN	
3	2060594	CABLE END FOR 2x0,75mm2 WIRES	30.0	UN	
3	2070052	ELECTRICAL WIRING DUCT 40x80m	2.0	UN	
3	2050794	COPPER BAR 15X4 HOLES M6	1.0	UN	
3	1100775	DIN RAIL MOUNTING BRACKET	3.0	UN	
3	2060517	CABLE END 35mm² light brown	10.0	UN	
3	2060457	TUBULAR TERMINAL 35mm² Ø6	5.0	UN	
3	4170601	MF M6 X 25 COLUMN	4.0	UN	
3	2060006	CABLE MARKER 1.5mm2 BLACK	200.0	UN	
3	2060048	BLACK SLEEVE Ý1.75 TO 3.7mm	100.0	UN	
3	1080159	CABLE MARKER 0.75 TO 4 mm²	100.0	UN	
3	2060780	CABLE END 2x10mm² RED	3.0	UN	
3	2060421	HEAT SHRINKABLE TUBING	3.0	MT	
3	2060423	HEAT SHRINKABLE TUBING	3.0	MT	
3	2060065	CLAMP 2,4x95mm FOR Ý1,6 TO 18m	100.0	UN	
3	2060520	BLUE SLEEVE 1.5mm²-4mm²	10.0	UN	
3	2060521	BLUE SLEEVE 4mm²-16mm²	10.0	UN	
3	2060059	ADHESIVE PLATE 19X19 FOR CLAMP	20.0	UN	
3	1100699	M6 ¼ turn sliding clip nut	12.0	UN	

3	2060335	RING TONGUE TERMINAL AWG12-10	6.0	UN	
3	2060489	RING TONGUE TERMINAL Ø6 BLUE	2.0	UN	
3	2060482	RING TONGUE TERMINAL Ø6 red	4.0	UN	
3	2060066	CLAMP 2.4X180	100.0	UN	
3	2051154	LINK JUMPER EB 80-12	0.1	UN	Q11->Q14
3	2051171	TERMINAL BLOCK 4 ² SHUNT DOUBLE	12.0	UN	
3	2051172	PARTITION PLATE	5.0	UN	
3	2051170	CONNECTING COMB 4 ² 2 BLOCS	5.0	UN	
3	2010379	HT° WIRE Green /Yellow 10mm ² s	4.0	UN	
3	2051098	TERMINAL BLOCK 4 ² G/Y	1.0	UN	
3	2060206	6.3 CLIP YELLOW	3.0	UN	
3	2060101	CLIP 6.3 ISOLE ROUGE	3.0	UN	
3	2060025	PREINSULATED SNAP ON RECEPTACL	2.0	UN	
3	2070051	ELECTRICAL WIRING DUCT 60x80m	3.0	UN	
3	2010101	3x0.75mm ² POWER CABLE	3.0	UN	
3	Q600206710	ETIQUETTE 2X10.9 GRIS/NOIRE	1.0	UN	
2	9040089-200-400.B	JETFIRSTNew 200-400	1.0	UN	
3	1030682	CIRCUIT-BREAKER NSX100F 4P 80A	1.0	UN	QI1
3	1030263	6 CABLES BINDER 35mm ²	1.0	UN	QI1/X2
3	1030561	PADLOCK DEVICE	1.0	UN	QI1
3	1030685	LONG TERMINAL COVER 4P	2.0	UN	QI1
2	9040089-BUTVALVE.A	JETFIRST BUTTERFLY VALVE OPTIO	1.0	UN	
3	1050197	RELAY 5Vdc 1OPTO :PLC-OSC- 5	1.0	UN	K8
3	1050143	RELAY 24Vdc 1RT :PLC-RSC- 24DC	3.0	UN	K9->K11
3	1120038	PCD3 TO PCD3 CONNECTOR	1.0	UN	A3
3	1120033	MODULE,2DI+2DO+4DI/DO 24Vdc	1.0	UN	A3-1
3	1120042	EXTENSION UNIT 2 MODULES	1.0	UN	A3
3	1030634	FAST CIRCUIT BREAKER 3A	1.0	UN	Q14
3	2051112	INPUT/OUTPUT TERMINAL BLOCK	1.0	UN	A3-1
3	2010393	SHIELDED CABLE 4X0.5mm ²	2.0	UN	
3	2010372	SHIELDED CABLE 7X0.25mm ²	1.0	UN	

AUTOMATON

En rouge Cases à compléter

Numéro d'affaire	0
Numéro d'étude	629
Repère fichier	904
Produit	Jetfirst

Client	Etude
Sous-ensemble	Controller wiring
Intervenant	MV
Observations	

Module: 0		Adresse de base= 0					
Repère:	A1-1	Card Module: PCD3-B100		2DI+2DO+4DI/DO 24V			
Voie	Terminal	Nr	Mnemo	Designation	Type	Volt	Folio
0	0	DI-00	FPVC	Forepump valve CLOSED	Input	24Vdc	101
1	1	DI-01	TGVO	TURBO Gate valve OPENED	Input	24Vdc	
2	2	DI-02	TGVC	TURBO Gate valve CLOSED	Input	24Vdc	
3	3	DI-03	RSA	Rotation Speed Attained	Input	24Vdc	
4	4	DI-04	MFO	Malfunction Free Operation	Input	24Vdc	
5	5	DO-05	TPSS	Turbo pump Start/Stop	Output	24Vdc	101
6	6	DO-06	FPV	Forepump valve	Output	24Vdc	
7	7	DO-07	TGV	TURBO Gate valve	Output	24Vdc	
	8	Circuit Braker3,15A		+24Vdc			
	9	-		0V			
TOTAL							

Module: 1		Adresse de base= 16					
Repère:	A1-2	Card Module: PCD3-W340		CARTE 8E 12bits 0-10V/0(4)-20mA/Pt1000			
Voie	Terminal	Nr	Mnemo	Designation	Type	Volt	Folio
0	0	AI-16	CURR11	Current from zone 1-1	Input	0-10V	102
1	1	AI-17	CURR12	Current from zone 1-2	Input	0-10V	
2	2	AI-18	CURR21	Current from zone 2-1	Input	0-10V	
3	3	AI-19	CURR22	Current from zone 2-2	Input	0-10V	
4	4	AI-20	CURR31	Current from zone 3-1	Input	0-10V	
5	5	AI-21	CURR32	Current from zone 3-2	Input	0-10V	
6	6	AI-22	PYRO	Pyrometer signal	Input	4-20mA	
7	7	AI-23	PT	Pressure Gauge	Input	0-10V	
	8	Com		0V			
	9	-		0V			
TOTAL							

Module: 2		Adresse de base= 32					
Repère:	A1-3	Card Module: PCD3-B100		2DI+2DO+4DI/DO 24V			
Voie	Terminal	Nr	Mnemo	Designation	Type	Volt	Folio
0	0	DI-32	MAINS	Power Contactor	Input	24Vdc	103
1	1	DI-33	T°S	Temperature switch	Input	24Vdc	
2	2	DI-34	PPS	Pneumatic Pressure Switch	Input	24Vdc	
3	3	DI-35	WFS	Water flow Switch	Input	24Vdc	
4	4	DI-36	CDCS	Chamber Door Closed Switch	Input	24Vdc	103
5	5	DO-37	COOL	Water valve + Fans	Output	24Vdc	
6	6	DO-38	POWC	Power contactor	Output	24Vdc	
7	7	DO-39	MAGLOCK	Magnetic Locking	Output	24Vdc	
	8	+ Fuse3,15A		+24Vdc			
	9	-		0V			
TOTAL							

Module: 3		Adresse de base= 48					
Repère:	A1-4	Card Module: PCD3-W305		CARTE 7E 12bits 0-10V			
Voie	Terminal	Nr	Mnemo	Designation	Type	Volt	Folio
0	+ 0	AI1-48	RKCS	RKC Setpoint	Output	0-10V	104
	- 1						
1	+ 2	AI1-49	TC1	Thermocouple 1 signal	Output	0-10V	
	- 3						
2	+ 4	AI1-50	TC2	Thermocouple 2 signal	Output	0-10V	
	- 5						
3	+ 6	AI1-51	TC3	Thermocouple 3 signal	Output	0-10V	
	- 7						
4	+ 8	AI1-52	PKR	Pressure control Reactor	Output	0-10V	
	- 9						
5	+ 10	AI1-53	BVP	Butterfly Valve Pressure	Output	0-10V	
	- 11						
6	12	AI1-54	BVA	Butterfly Valve Angle	Output	0-10V	
	13						

En rouge Cases à compléter

Numéro d'affaire	0
Numéro d'étude	629
Repère fichier	904
Produit	Jetfirst

Client		Etude
Sous-ensemble		Controller wiring
Intervenant		MV
Observations		

Module: 4			Adresse de base= 64				
Repère:	A2-1	Card Module:	PCD3-E110	Carte TOR 8 ENTREES 24Vdc			
Voie	Terminal	Nr	Mnemo	Designation	Type	Volt	Folio
0	0	DI-64	CV VC	Chamber vacuum valve Closed	Input	24Vdc	105
1	1	DI-65	PCB	Pump Circuit Breaker	Input	24Vdc	
2	2	DI-66	LBZ1	Lamp Breaker Zone1	Input	24Vdc	
3	3	DI-67	LBZ2	Lamp Breaker Zone2	Input	24Vdc	
4	4	DI-68	LBZ3	Lamp Breaker Zone3	Input	24Vdc	
5	5	DI-69	FANB	Fan Breaker	Input	24Vdc	
6	6	DI-70			Input	24Vdc	
7	7	DI-71			Input	24Vdc	
	8		Circuit Braker3,15A	+24Vdc			
	9	-		0V			
<u>TOTAL</u>							

Module: 5			Adresse de base= 80				
Repère:	A2-2	Card Module:	PCD3-A400	Carte TOR 8 sorties 24V=			
Voie	Terminal	Nr	Mnemo	Designation	Type	Volt	Folio
0	0	DO-80	CV V	Chamber Vacuum Valve	Output	24Vdc	106
1	1	DO-81	GV-1	Gas Valve-1	Output	24Vdc	
2	2	DO-82	GV-2	Gas Valve-2	Output	24Vdc	
3	3	DO-83	GV-3	Gas Valve-3	Output	24Vdc	
4	4	DO-84	GV-4	Gas Valve-4	Output	24Vdc	
5	5	DO-85	GV-P	Gas Valve-Purge	Output	24Vdc	
6	6	DO-86	EIV	Exhaust Isolation Valve	Output	24Vdc	
7	7	DO-87			Output	24Vdc	
	8		+ Fuse3,15A	+24Vdc			
	9	-		0V			

Module: 6			Adresse de base= 96				
Repère:	A2-3	Card Module:	PCD3-W600	CARTE 4S 12bits 0_10V			
Voie	Terminal	Nr	Mnemo	Designation	Type	Volt	Folio
0	+ 0	AO1-96	TEMPRD	T°Read--->RKC	Ouput	0-10V	107
	- 1						
1	+ 2	AO1-97	TEMPSP	T°Setpoint--->RKC	Output	0-10V	
	- 3						
2	+ 4	AO1-98	THYRSP1	Thyristor Setpoint 1	Output	0-10V	
	- 5						
3	+ 6	AO1-99	THYRSP2	Thyristor Setpoint 2	Output	0-10V	
	- 7						
	8			Not used			
	9	-		0V			

Module: 7			Adresse de base= 112				
Repère:	A2-4	Card Module:	PCD3-W600	CARTE 4S 12bits 0_10V			
Voie	Terminal	Nr	Mnemo	Designation	Type	Volt	Folio
0	+ 0	AO1-112	THYRSP3	Thyristor Setpoint 3	Ouput	0-10V	107
	- 1						
1	+ 2	AO1-113	BVSP	Butterfly Valve Setpoint	Output	0-10V	
	- 3						
2	+ 4	AO1-114			Output	0-10V	
	- 5						
3	+ 6	AO1-115			Output	0-10V	
	- 7						
	8			Not used			
	9	-		0V			

ELECTRICS

GENERALITE DE CABLAGE

WIRING GENERALITY

A
B
C
D
E

1-Fileries/Wirings:

a- Filerie de puissance/Power wiring:

a-1 Courant continu/Direct current:

(Alimentation des lampes) BRUN siliconé + et -
(Lamps supply) BROWN silicon + & -

a-2 Courant alternatif/Alternative current:

Phase: NOIR/BLACK - souple
Neutre: NOIR/BLACK - bague bleu/ blue ring - souple

a-2 CONDUCTEUR DE PROTECTION/Protective conductor

Terre: VERT/JAUNE - souple
Earth: GREEN/YELLOW - souple

b- Filerie de commande/Command wiring:

b-1 Courant continu/Direct current:

Polarity +: VIOLET - souple
Polarity -: BLANC/white - souple
Filerie commande continue/dc command wiring : BLEU FONCE/dark blue - souple

b-2 Alternatif/Alternating current:

ROUGE/red-souple

b-3 Circuit non coupé par l'organe de coupure général/

Circuits which are not switched off by the supply disconnecting device

ORANGE-souple

b-2 Alternatif/Alternating current:

VERT/JAUNE-Green/Yellow-souple

2-Sections/Cross-sections:

a- Section puissance/Power cross-section:

		3A		10A	16A	25A	32A	40A	63A	90A	110A	125A	160A	200A
Câblage en goulotte/ Conductors in conduit	S (mm ²)	0.75	1.5	2.5	4	6	10	16						
Câblage à l'air libre/ Free air wiring	S (mm ²)	0.75	0.75	1.5	2.5	4	6	10	16	25	35	35	50	70

b- Section Commande + Entrées Sorties Automate/Command+Controllers Inputs Outputs cross section

0.75mm²

c- Section des circuits non coupés par l'organe de coupure général/

Cross section of the circuits which are not switched off by the supply disconnecting device

1.5mm²

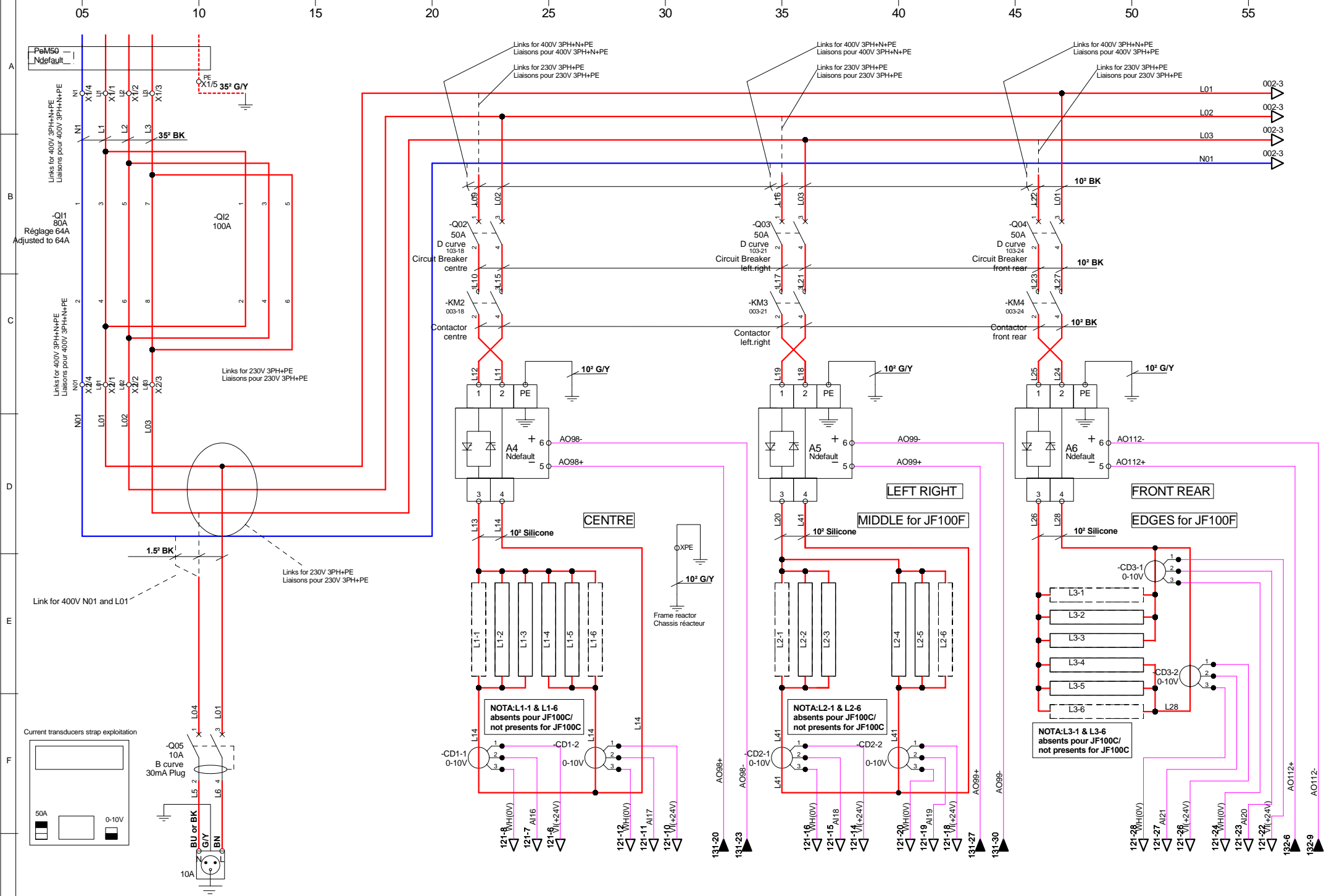
3-Repérage des borniers/Terminal blocks marking:

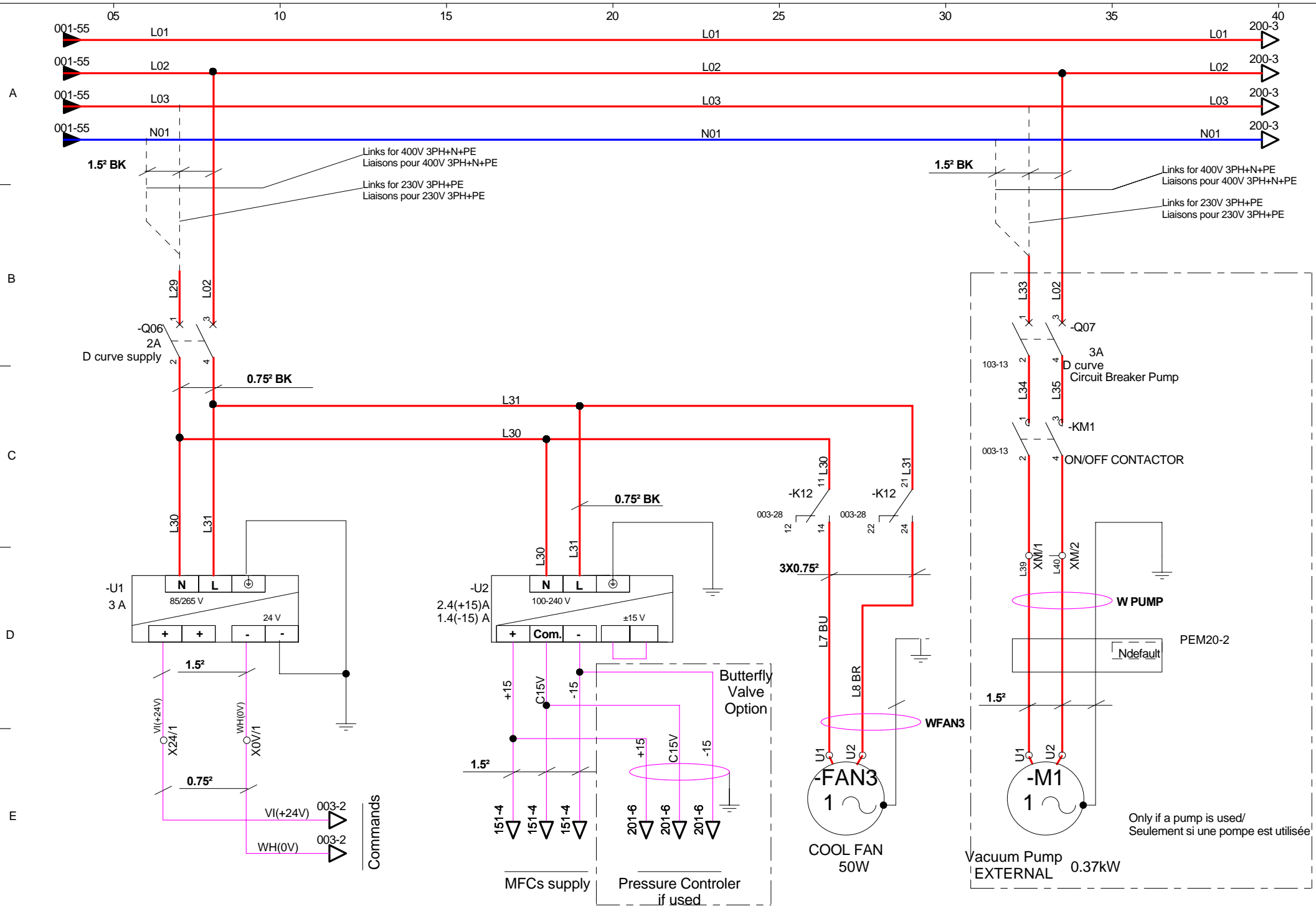
XP"N° ordre du bornier- N° de borne" :Bornier de puissance/Power terminal block
XB"Terminal block Nr- Block Nr" :Bornier/Terminal block

4-Repérage filerie/wires marking:

Filerie de commande/Command wires
Numéro d'ordre

Filerie de puissance/Power wires
NEUTRE/Neutral: N-N° d'ordre/N-Order Nr
PHASE/Phase :L-N° d'ordre/N-Order Nr



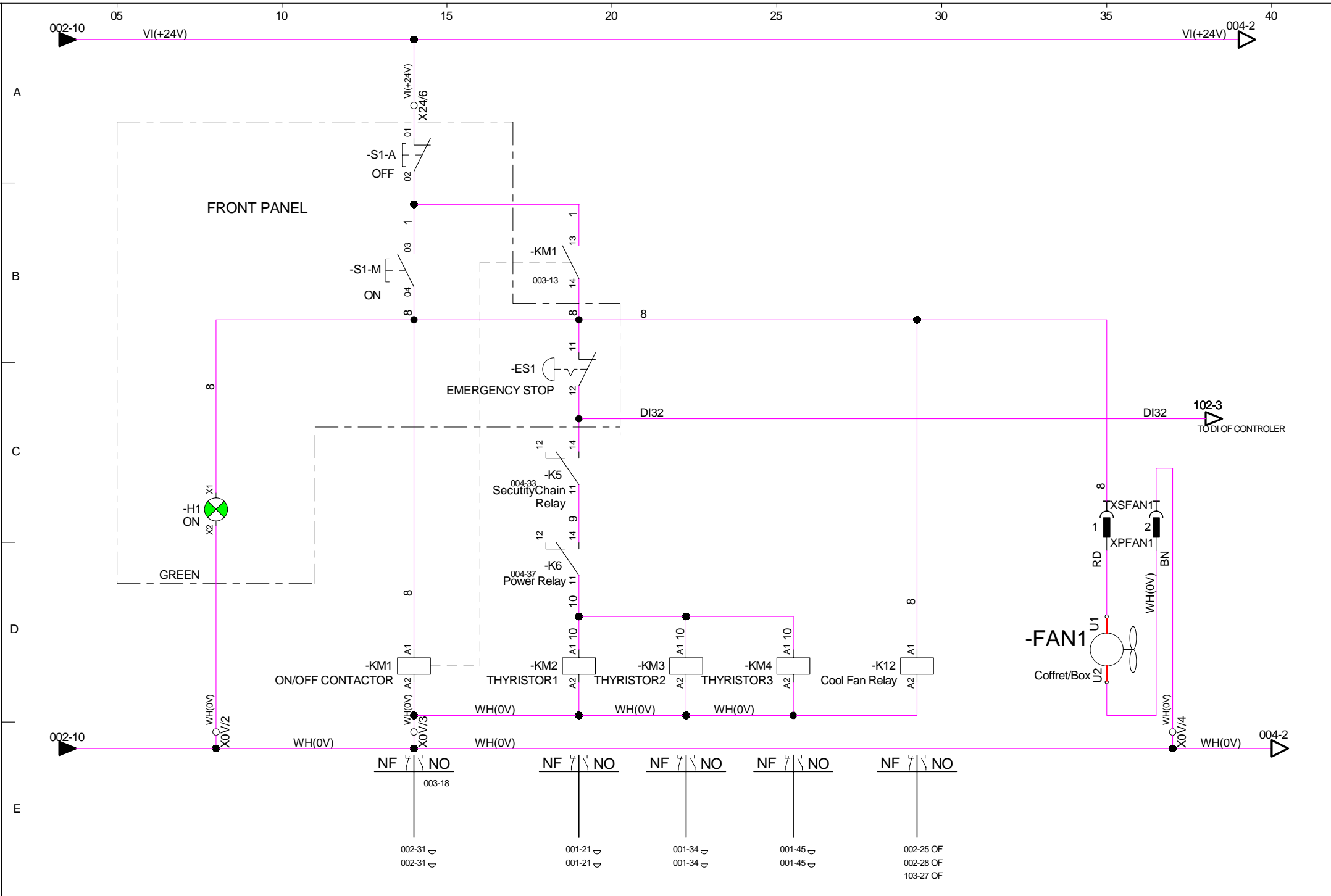


qualiflow therm	Dessiné par	MV
	Vérifié par	
	Date	05/05/2011

JETFIRST100C-200C
9040089

POWER

5	26
F_002	
Indice Général : B	
Indice Folio : A	

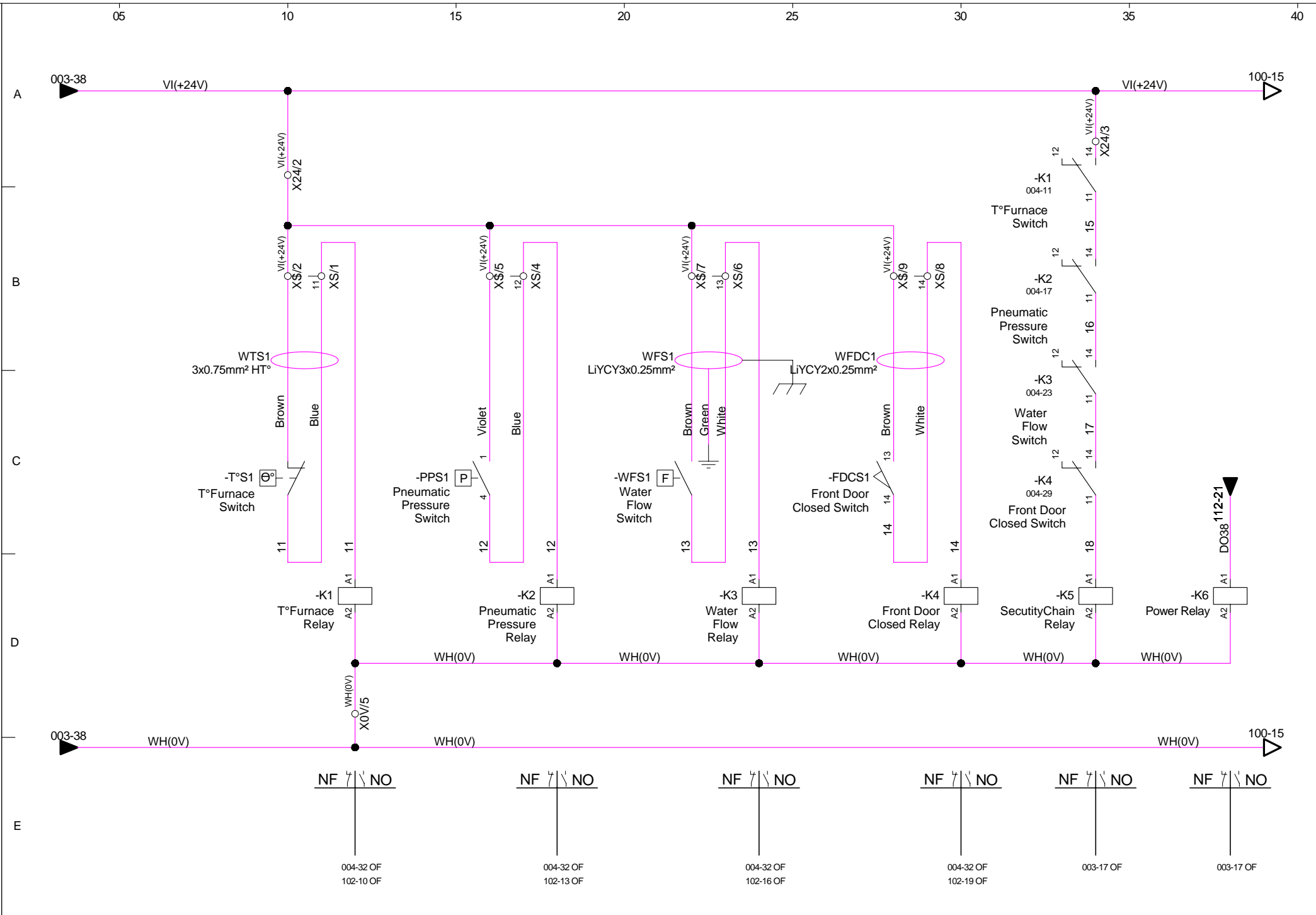


	Dessiné par	MV
	Vérifié par	
	Date	05/05/2011

JETFIRST100C-200C
9040089

COMMANDS

6
26
F_003
Indice Général : B
Indice Folio : A



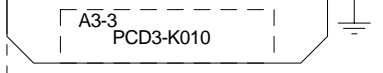
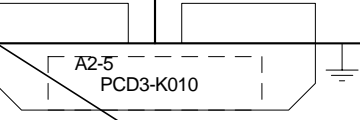
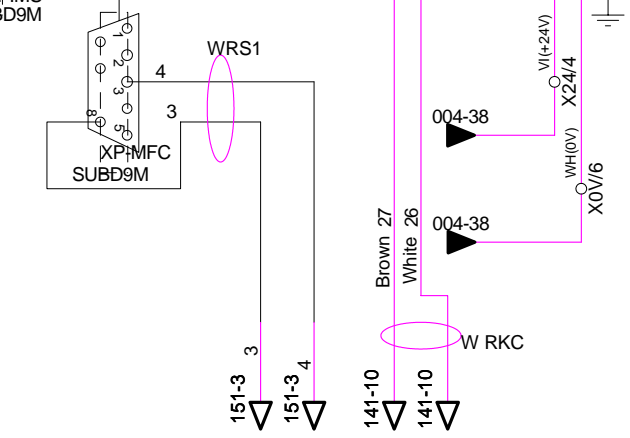
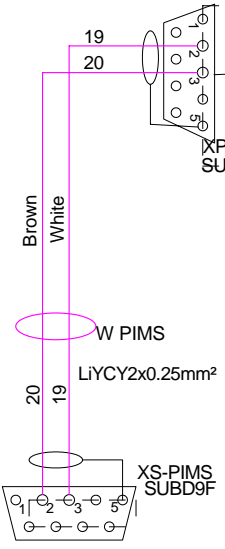
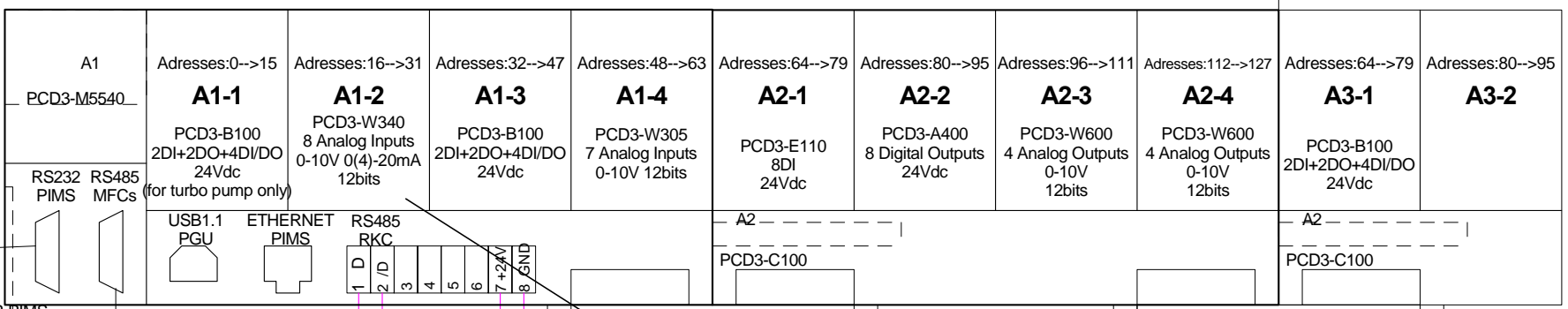
A

B

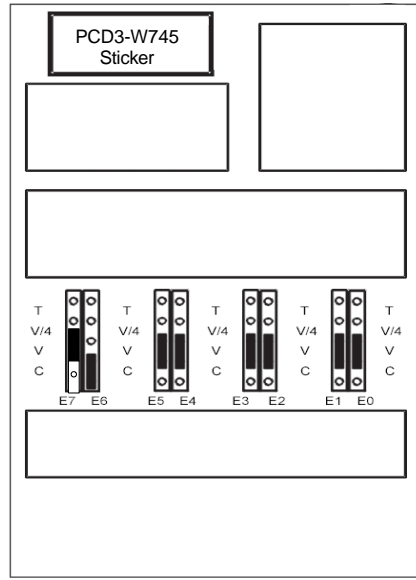
C

D

E



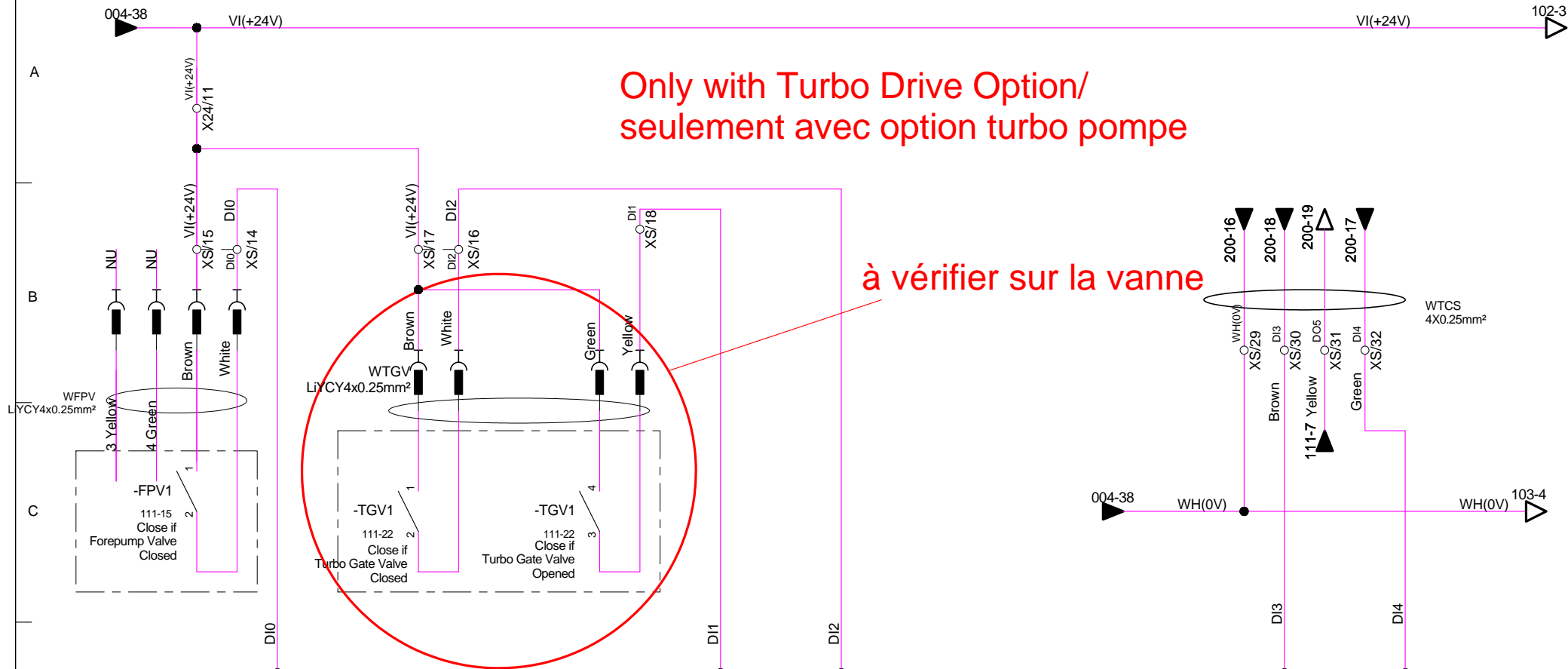
For butterfly valve only



W-PIMS
2010434

Only with Turbo Drive Option/
seulement avec option turbo pompe

à vérifier sur la vanne



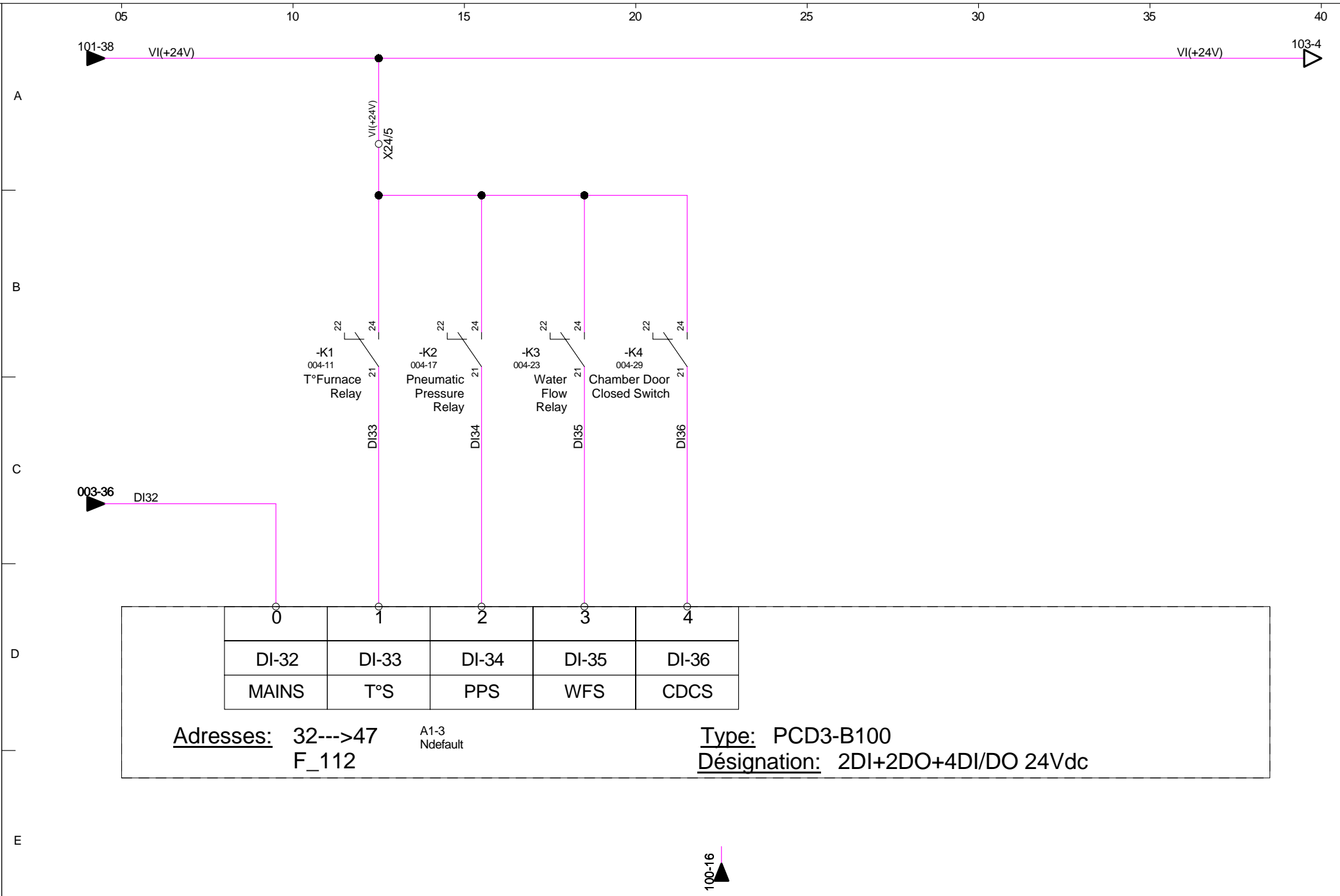
0	1	2	3	4
DI-0	DI-1	DI-2	DI-3	DI-4
FPVC	TGVO	TGVC	RSA	MFO

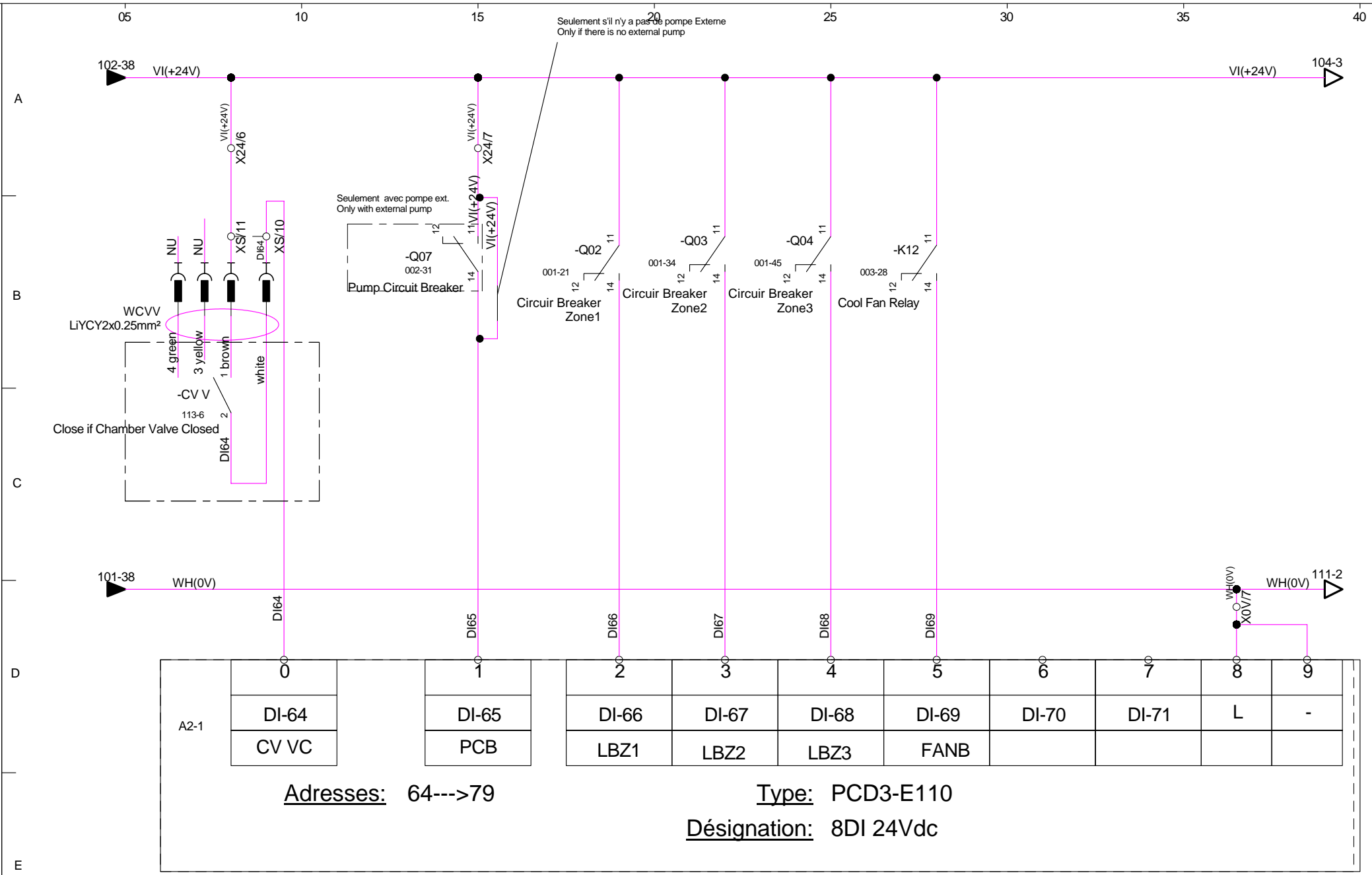
A1-1

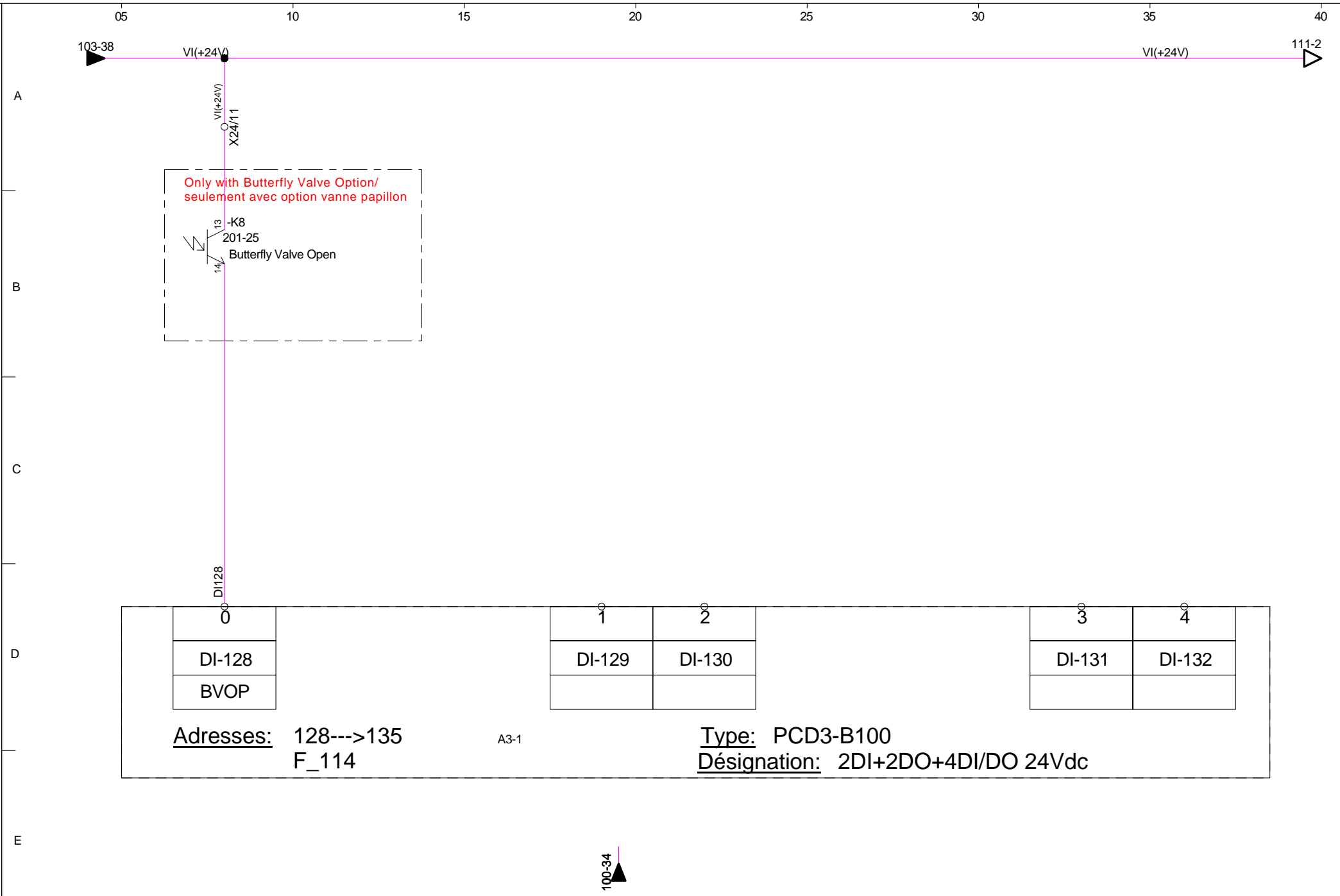
Adresses: 0--->16
F_111

Type: PCD3-B100
Désignation: 2DI+2DO+4DI/DO 24Vdc

100-10



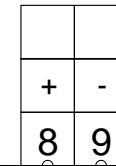
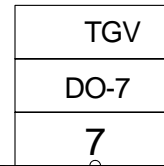
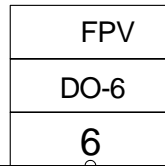
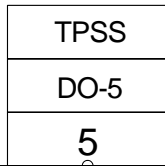




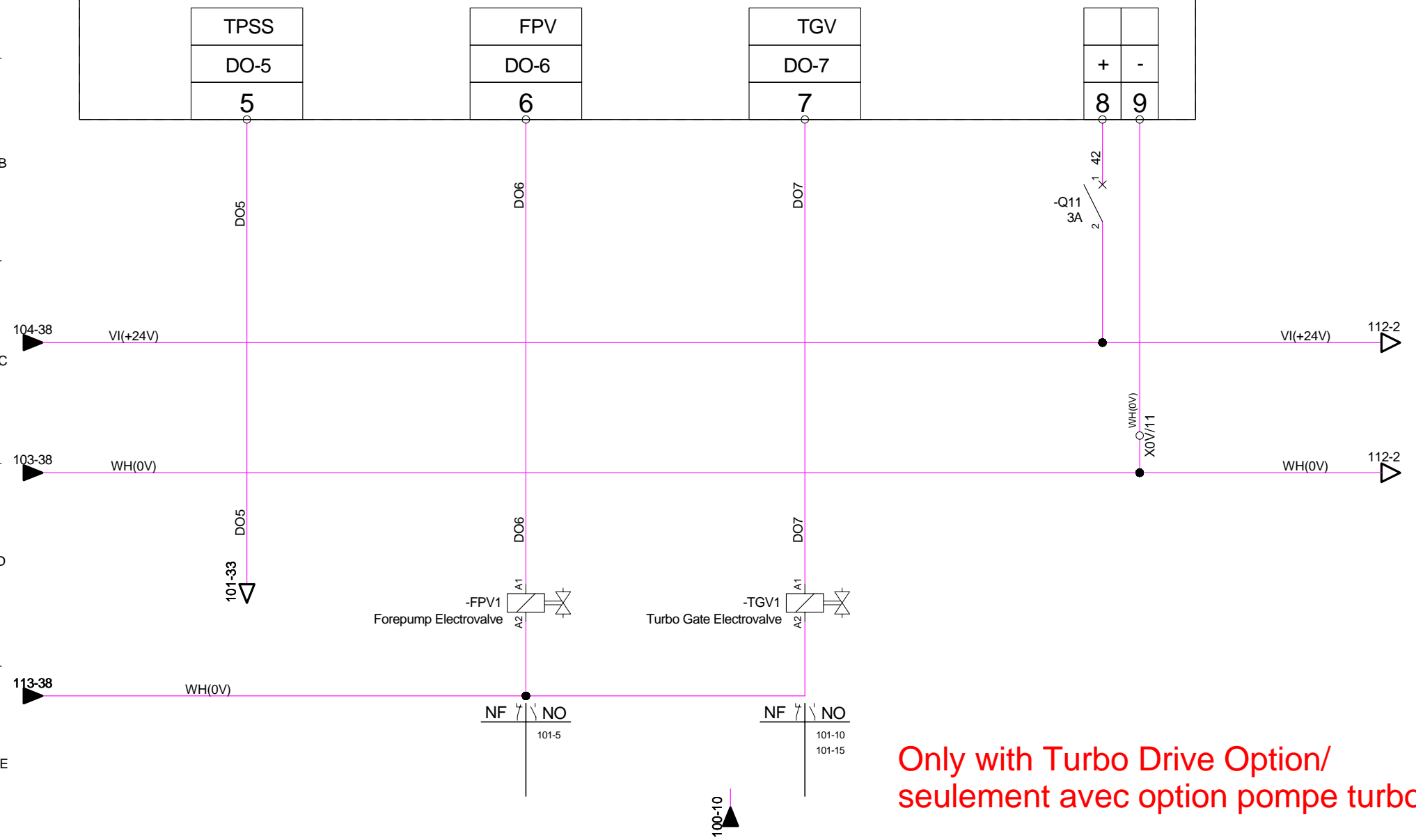
Adresses: 0--->15
F_101

Type: PCD3-B100
Désignation: 2DI+2DO+4DI/DO 24Vdc

A1-1



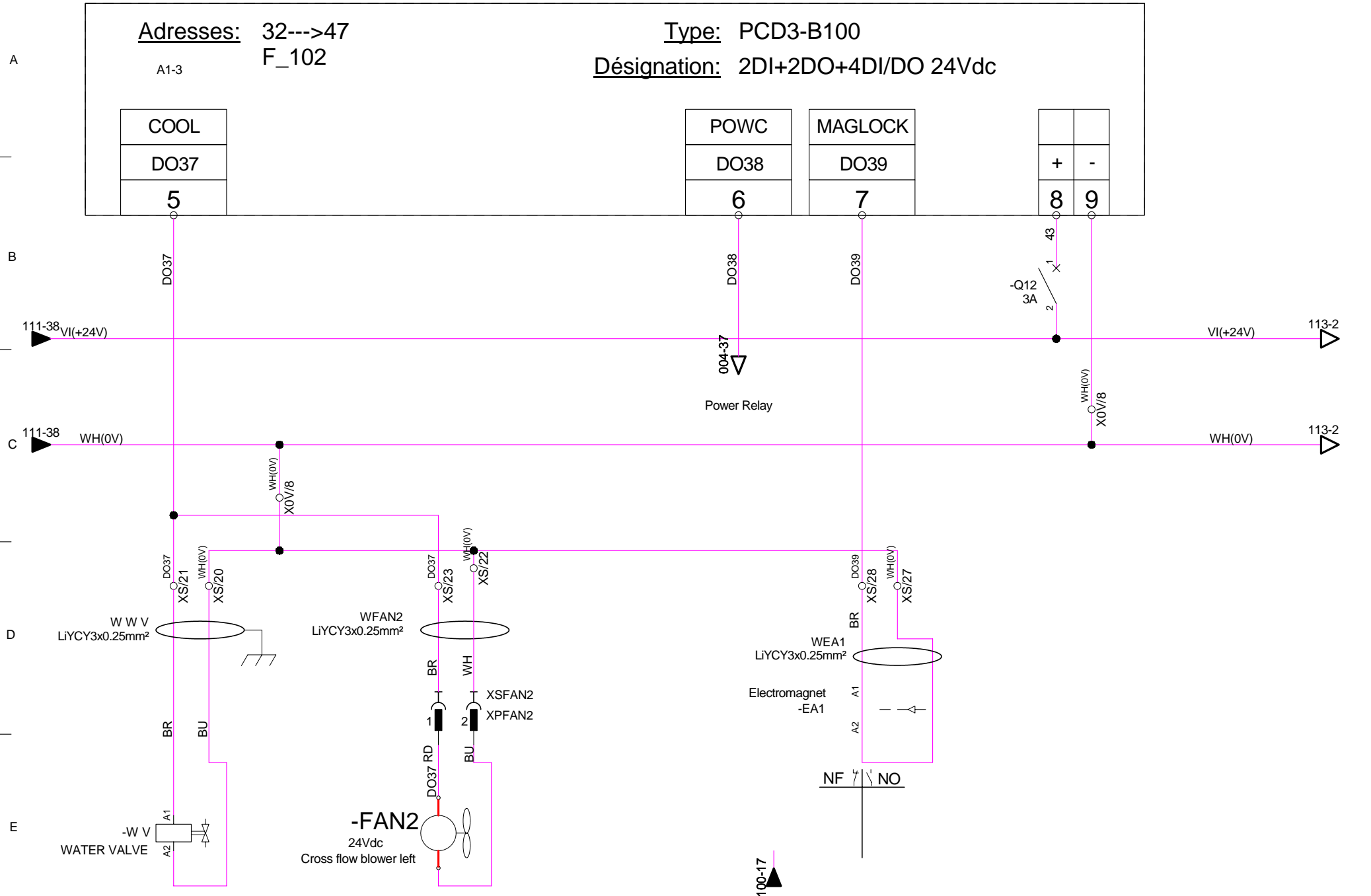
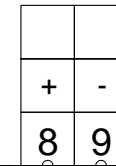
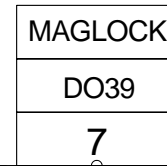
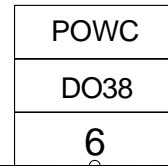
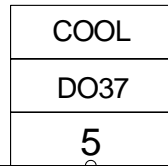
A
B
C
D
E



Only with Turbo Drive Option/
seulement avec option pompe turbo

Adresses: 32--->47
A1-3
F_102

Type: PCD3-B100
Désignation: 2DI+2DO+4DI/DO 24Vdc



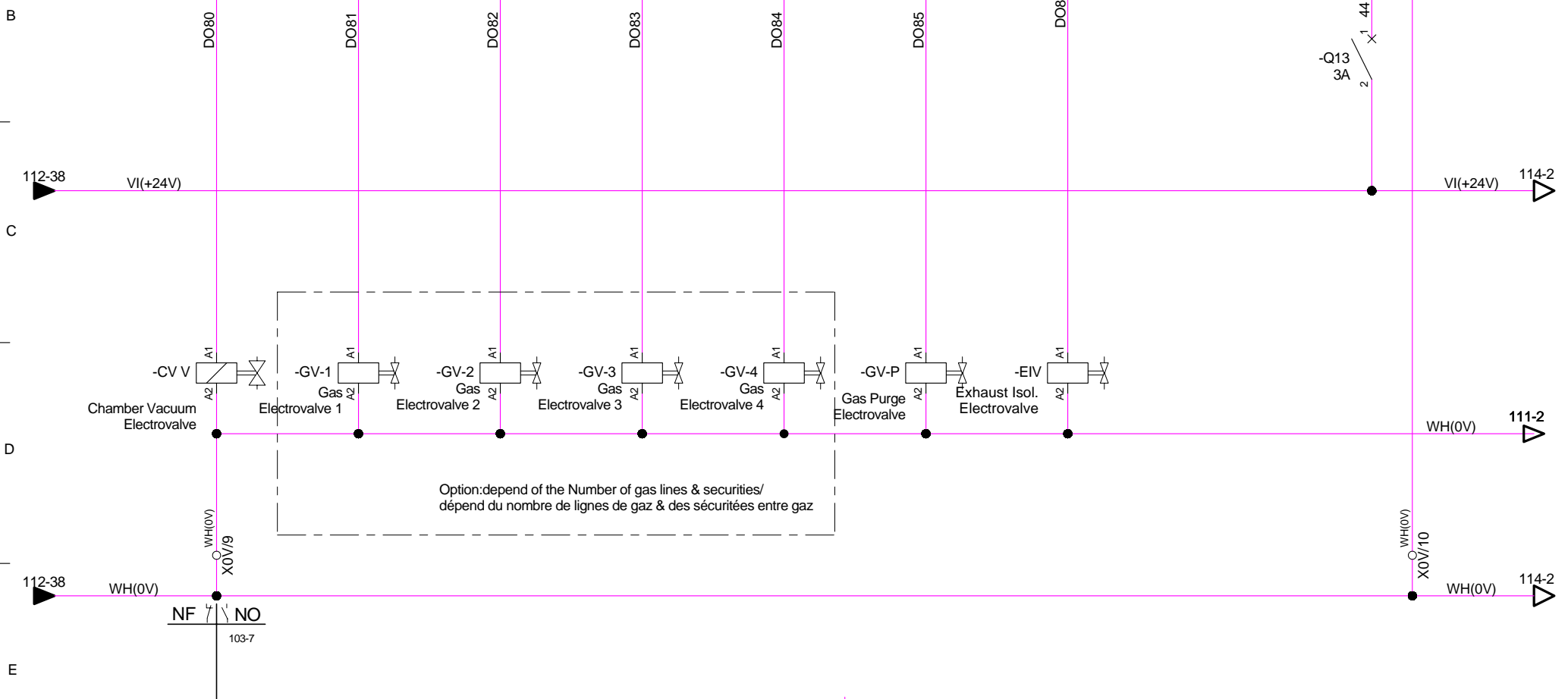
Adresses: 80--->95

Type: PCD3-A400

Désignation: 8DO 24Vdc

A2-2

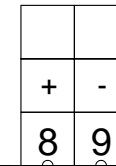
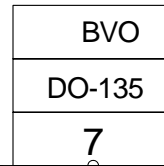
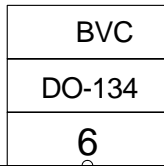
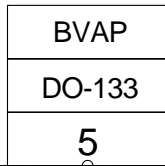
CV VC	GV-1	GV-2	GV-3	GV-4	GV-P	EIV		
DO-80	DO-81	DO-82	DO-83	DO-84	DO-85	DO-86	DO-87	+ -
0	1	2	3	4	5	6	7	8 9



Adresses: 133--->135
F_104

Type: PCD3-B100
Désignation: 2DI+2DO+4DI/DO 24Vdc

A3-1



DO133

DO134

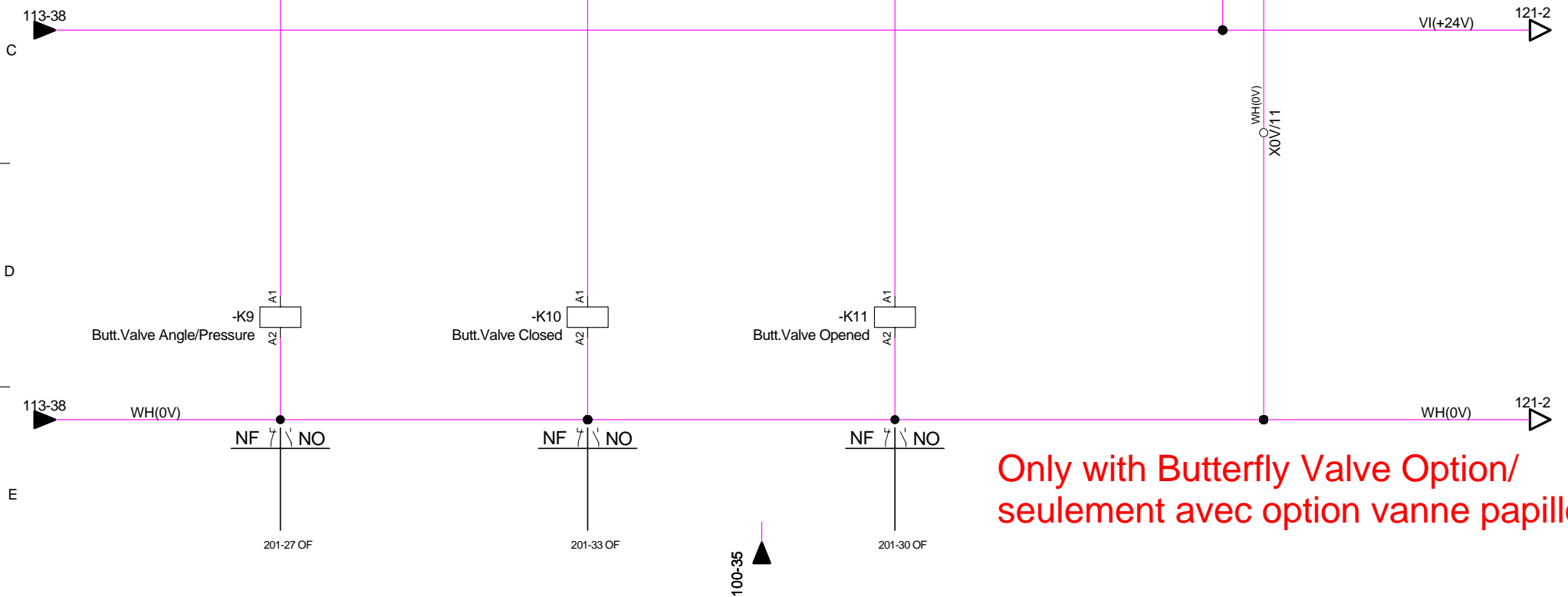
DO135

-Q14
3A



WH(0V)
X0V/11

A
B
C
D
E



**Only with Butterfly Valve Option/
seulement avec option vanne papillon**

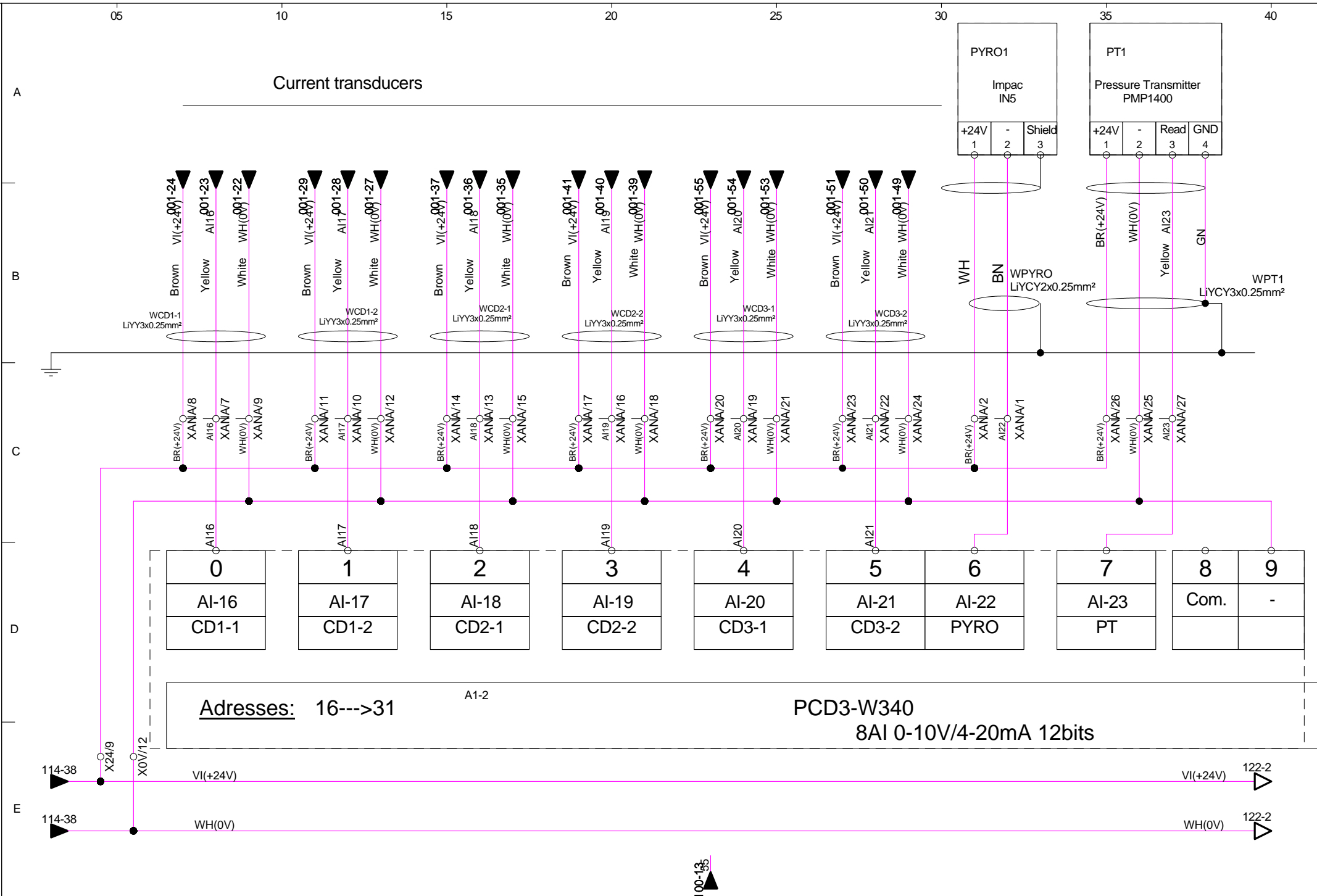


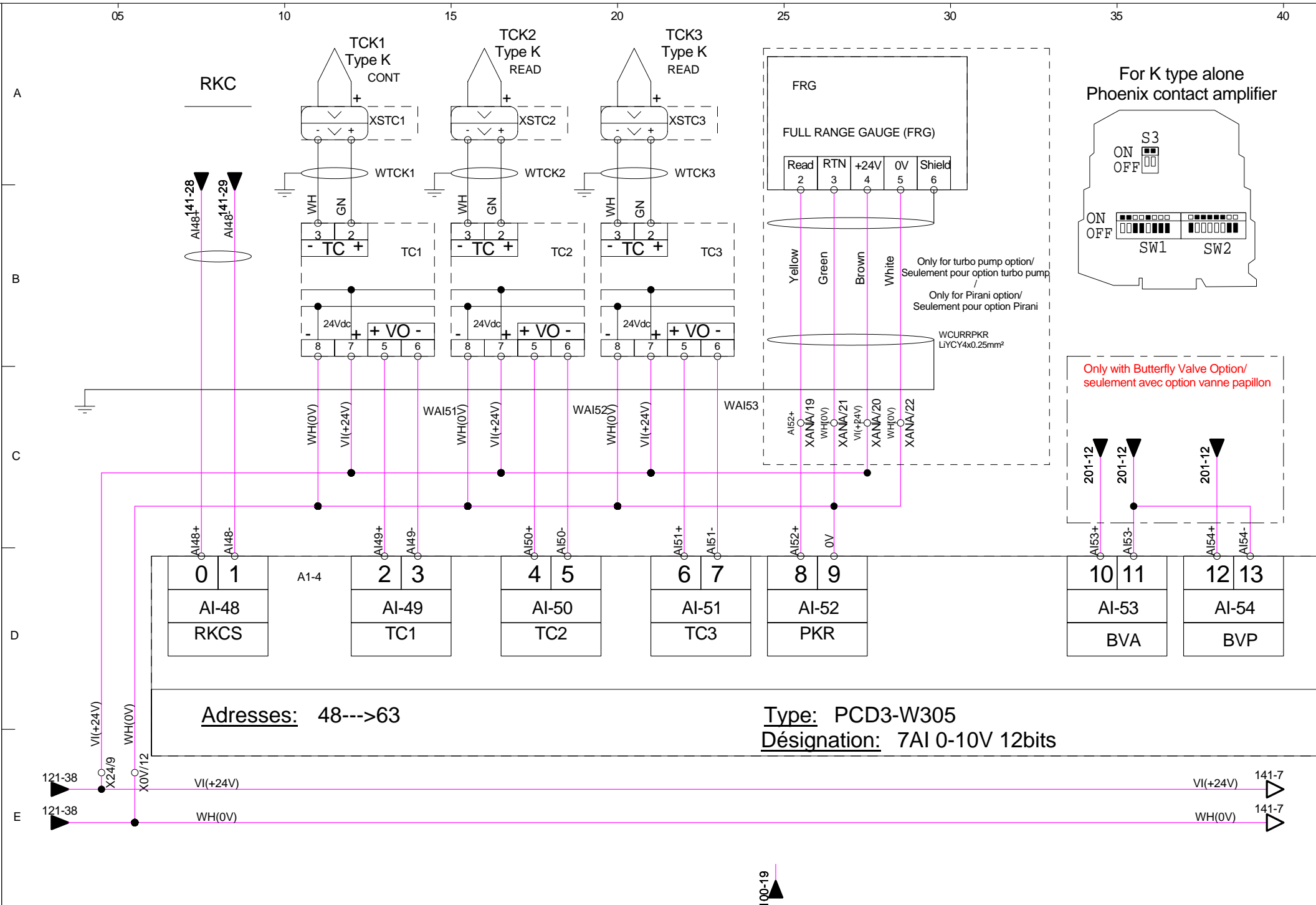
Dessiné par	MV
Vérifié par	
Date	05/05/2011

JETFIRST100C-200C
9040089

Digital Outputs

16	26
F_114	
Indice Général : B	
Indice Folio : A	





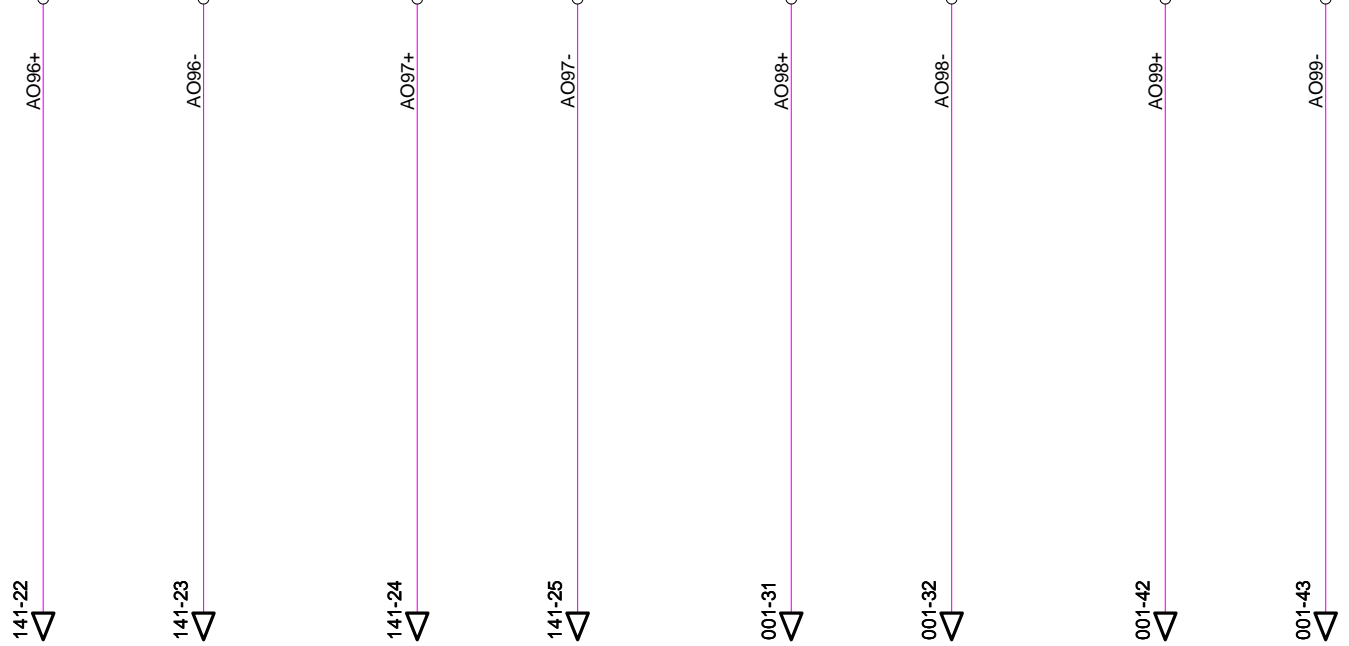
qualiflow therm	Dessiné par	MV
	Vérifié par	
	Date	05/05/2011

JETFIRST100C-200C
9040089

ANA Inputs

Adresses: 96--->111 Type: PCD3-W600
 A2-3 Désignation: 4 AO 0-10V 12bits

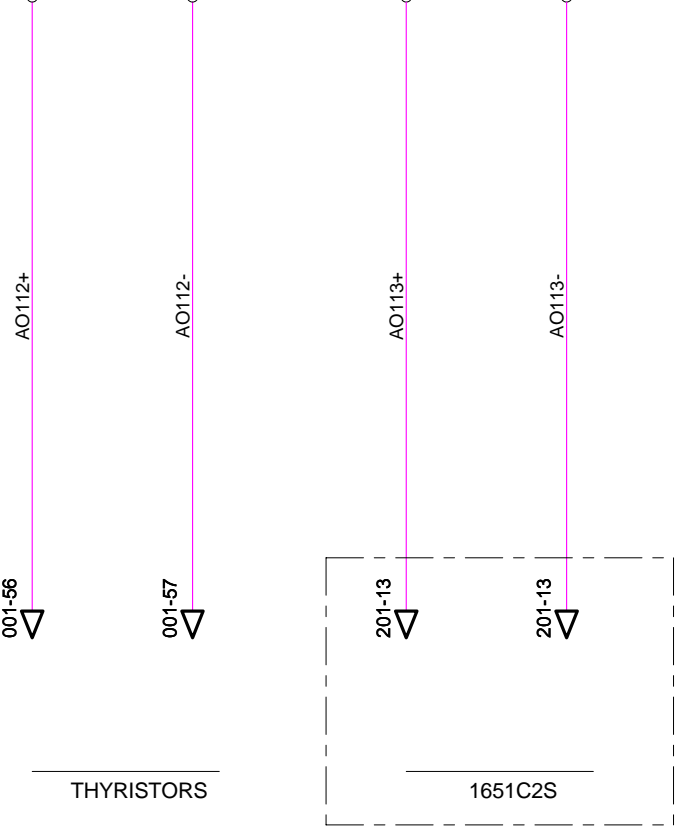
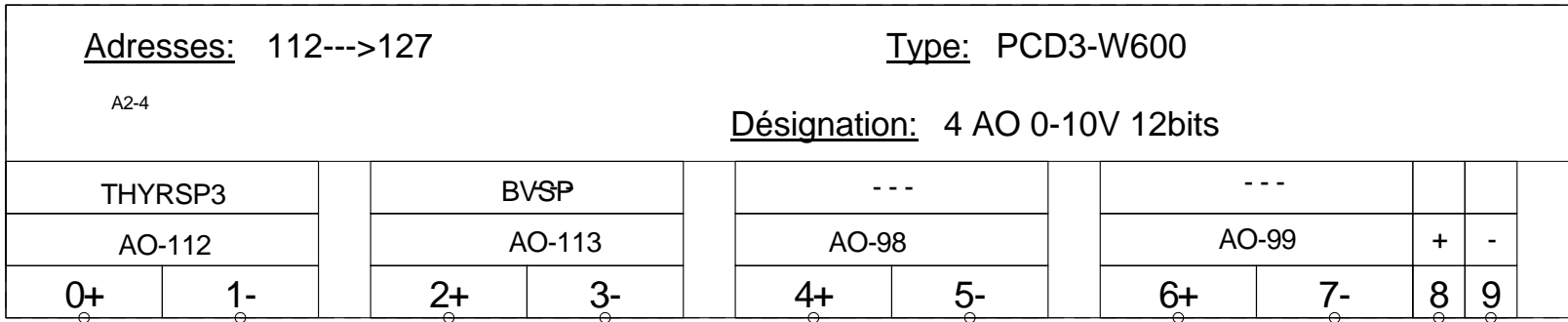
TEMPRD		TEMPSP		THYRSP1		THYRSP2			
AO-96		AO-97		AO-98		AO-99		+	-
0+	1-	2+	3-	4+	5-	6+	7-	8	9



RKC

THYRISTORS

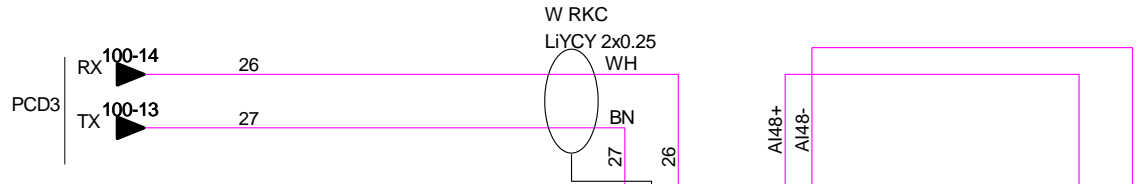
A
B
C
D
E



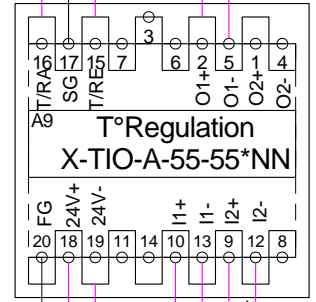
Only with Butterfly Valve Option/
seulement avec option vanne papillon



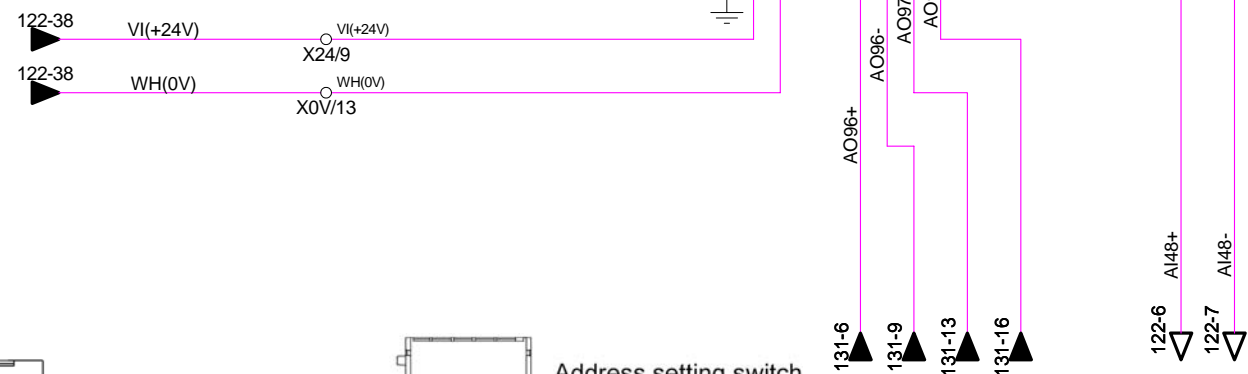
A



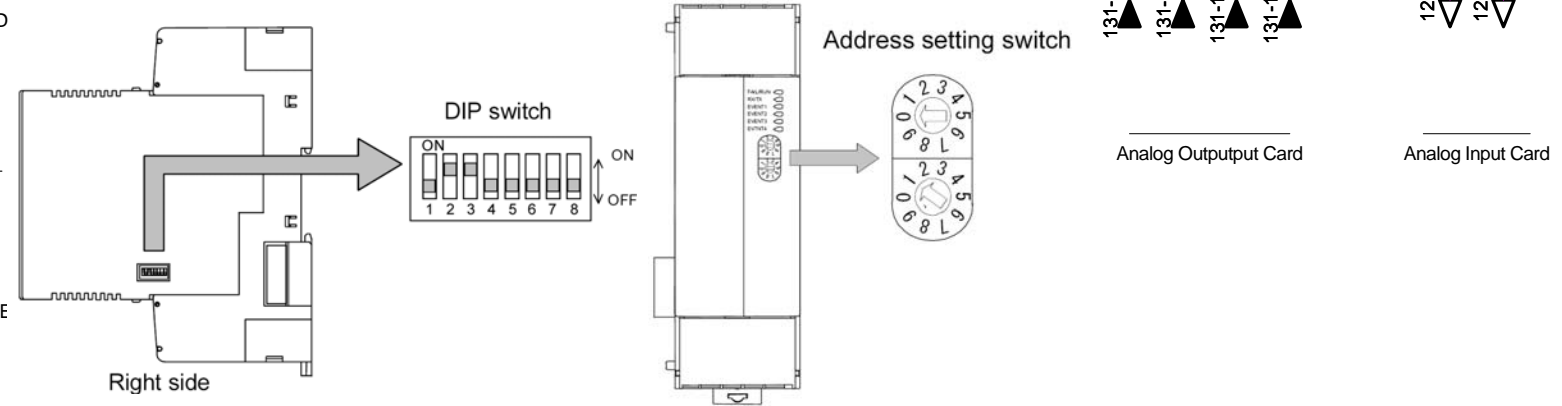
B



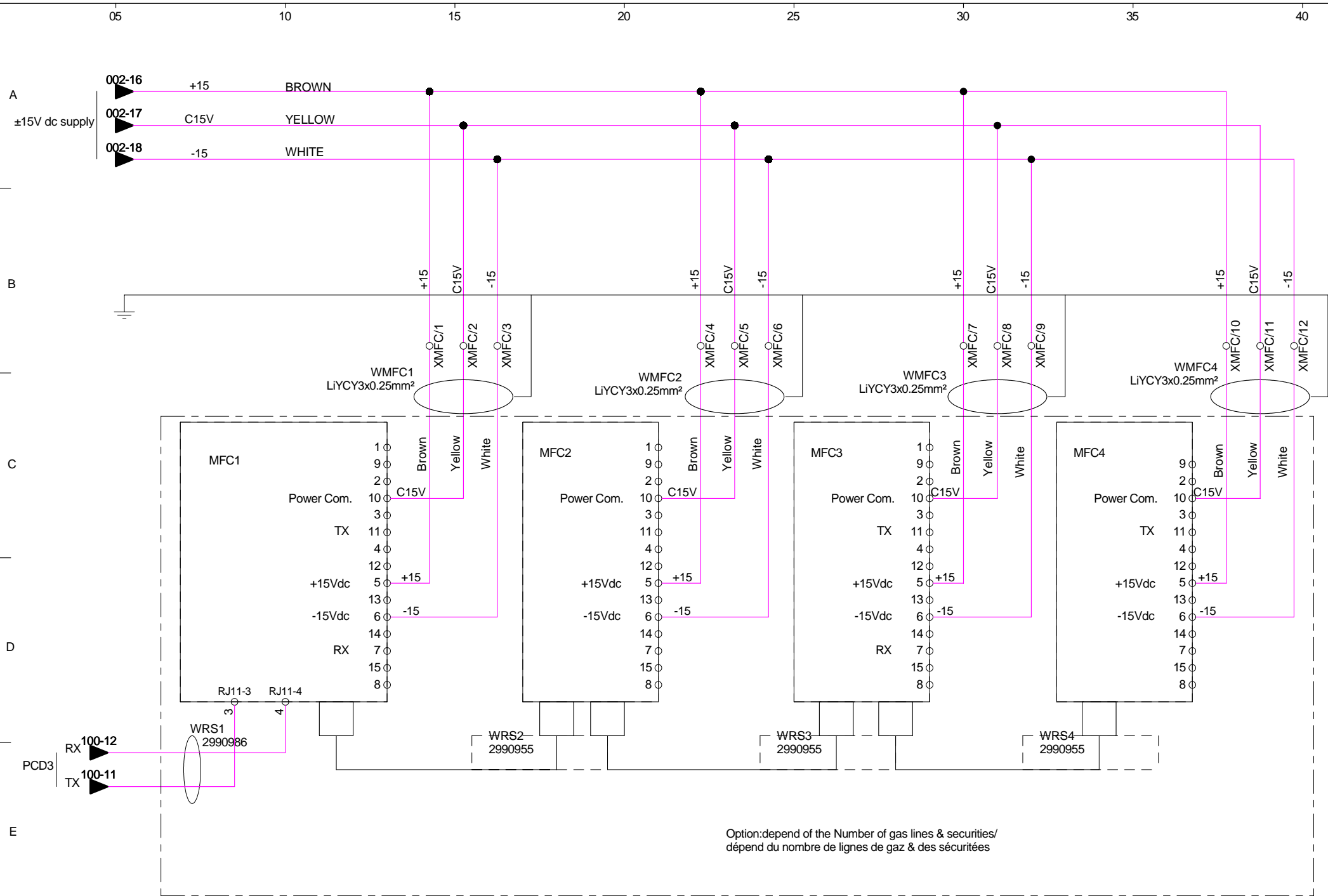
C



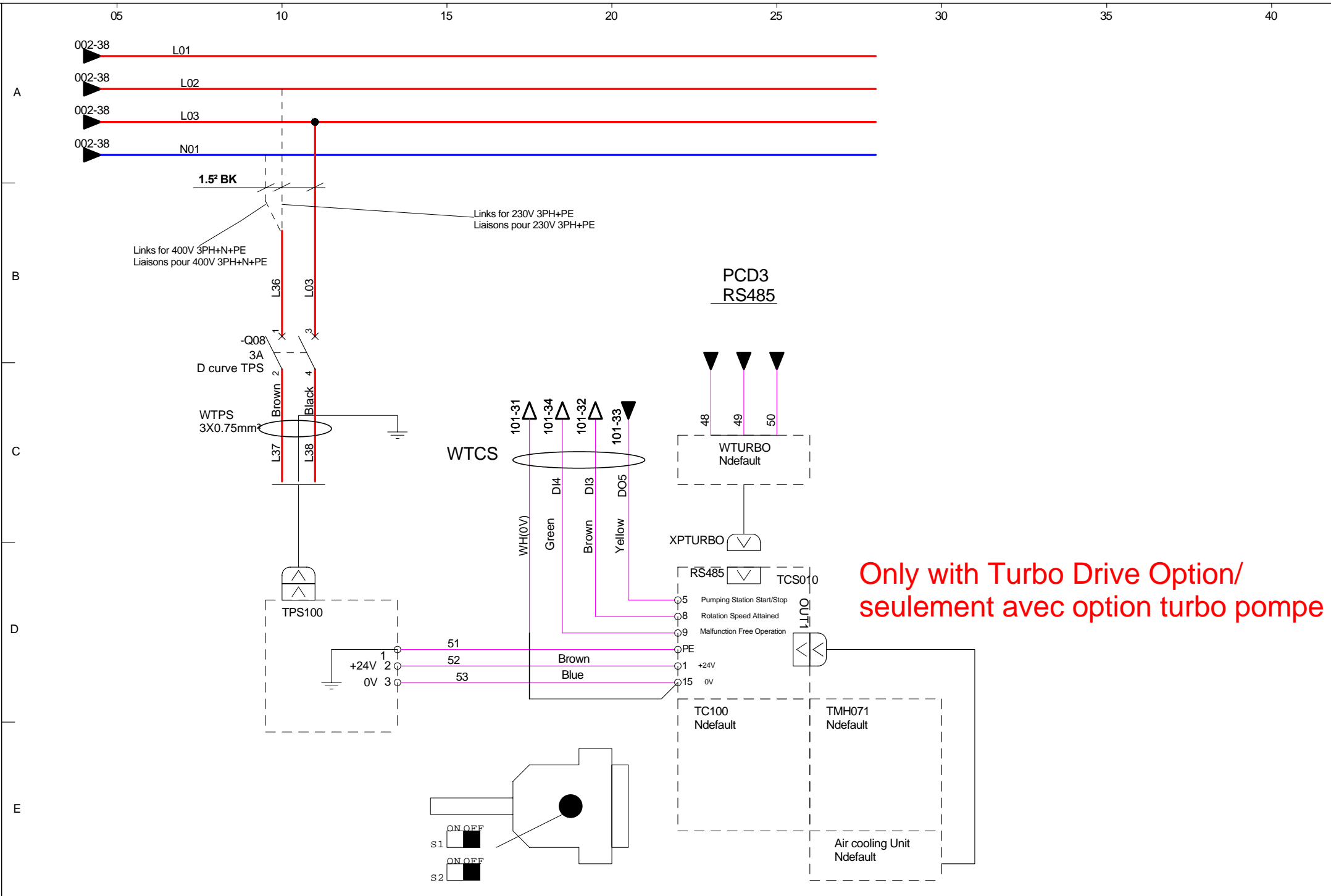
D



E



Option: depend of the Number of gas lines & securities/
 dépend du nombre de lignes de gaz & des sécurités

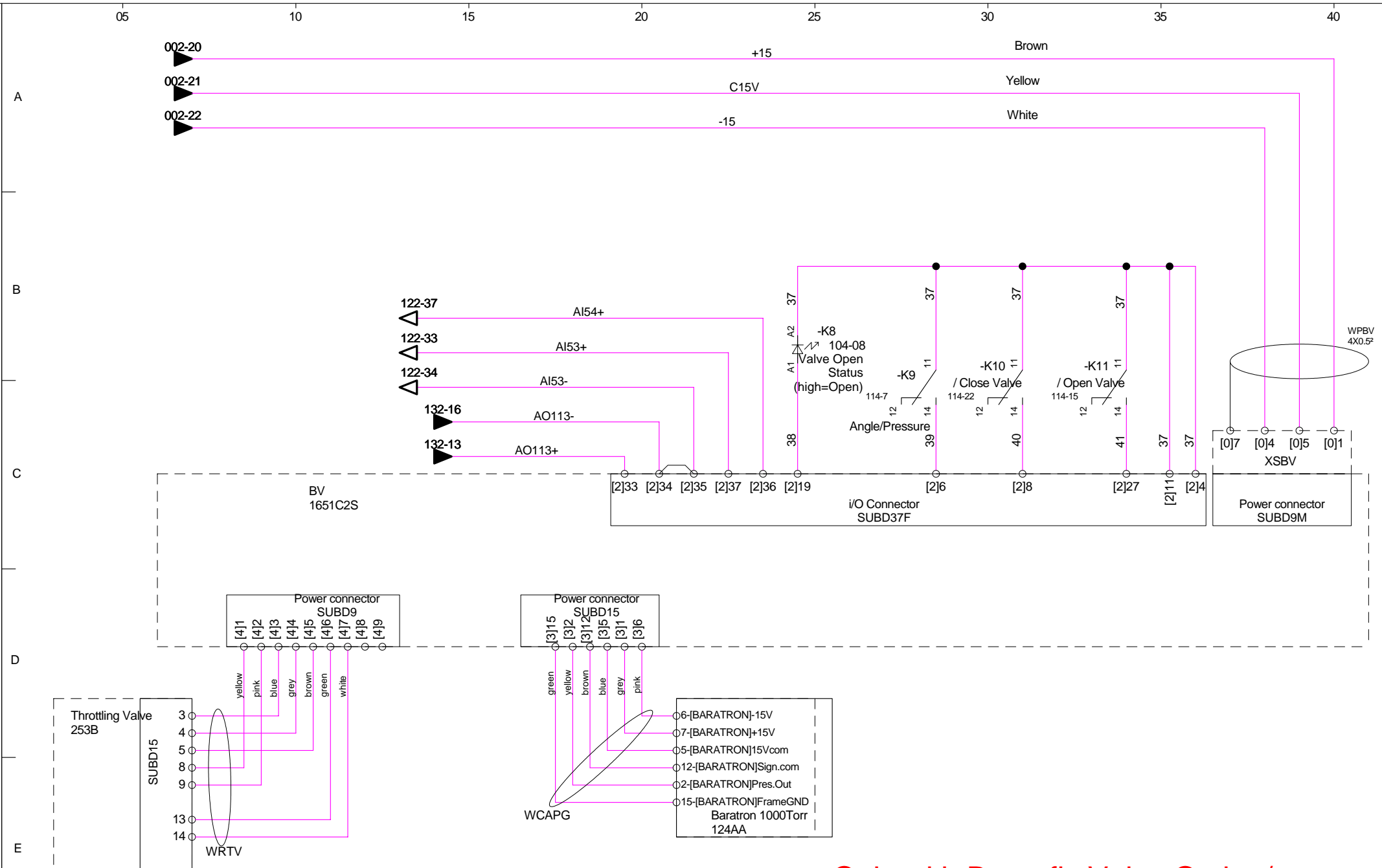


qualiflow therm	Dessiné par	MV
	Vérifié par	
	Date	05/05/2011

JETFIRST100C-200C
9040089

TURBO DRIVE WIRING

23 / 26
F_200
Indice Général : B
Indice Folio : A




Only with Butterfly Valve Option/
seulement avec option vanne papillon

A

CNQLT Nr STUDY Nr

QUALIFLOW-JIPELEC-34-FRANCE

TYPE

REF 

VOLTS


kW AMP

Hz YEAR

CNQLT Nr STUDY Nr

QUALIFLOW-JIPELEC-34-FRANCE

TYPE

REF 

VOLTS

kW AMP

Hz YEAR

B

YEAR


YEAR

C

CNQLT Nr STUDY Nr

QUALIFLOW-JIPELEC-34-FRANCE

TYPE

REF 

VOLTS


kW AMP

Hz YEAR

CNQLT Nr STUDY Nr

QUALIFLOW-JIPELEC-34-FRANCE

TYPE

REF 

VOLTS

kW AMP

Hz YEAR

YEAR


YEAR

D

CNQLT Nr STUDY Nr

QUALIFLOW-JIPELEC-34-FRANCE

TYPE

REF 

VOLTS


kW AMP

Hz YEAR

CNQLT Nr STUDY Nr

QUALIFLOW-JIPELEC-34-FRANCE

TYPE

REF 

VOLTS

kW AMP

Hz YEAR

YEAR

YEAR

E

05

10

15

20

25

30

35

40

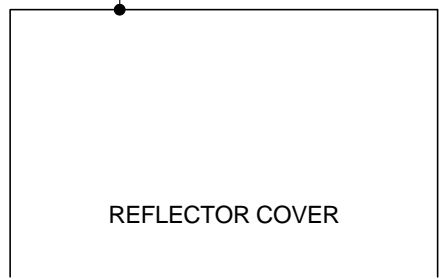
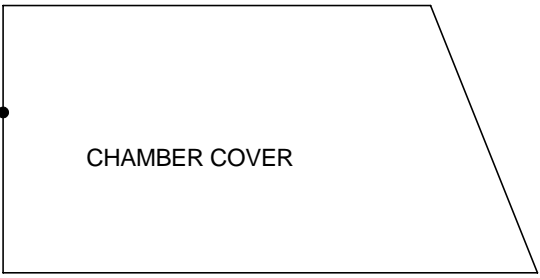
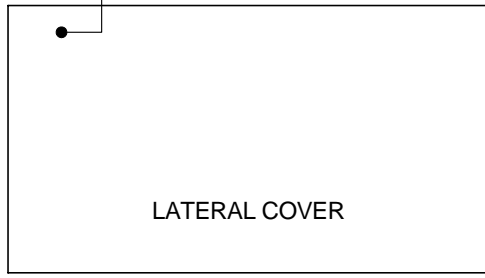
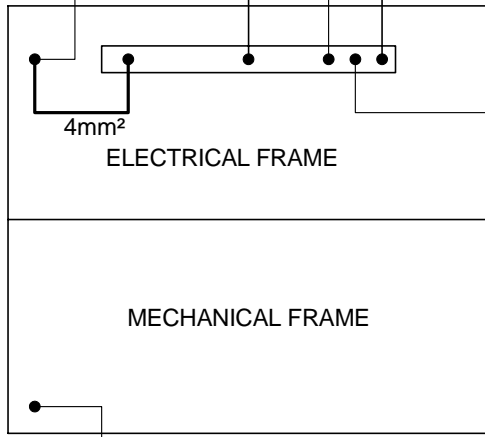
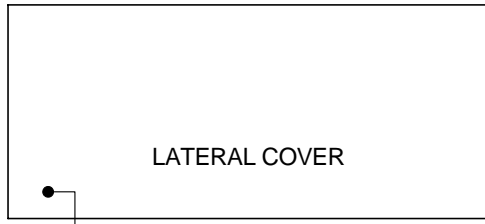
A

B

C

D

E



4mm²
lg:0.3m

PE X1/5
35² G/Y

4mm²

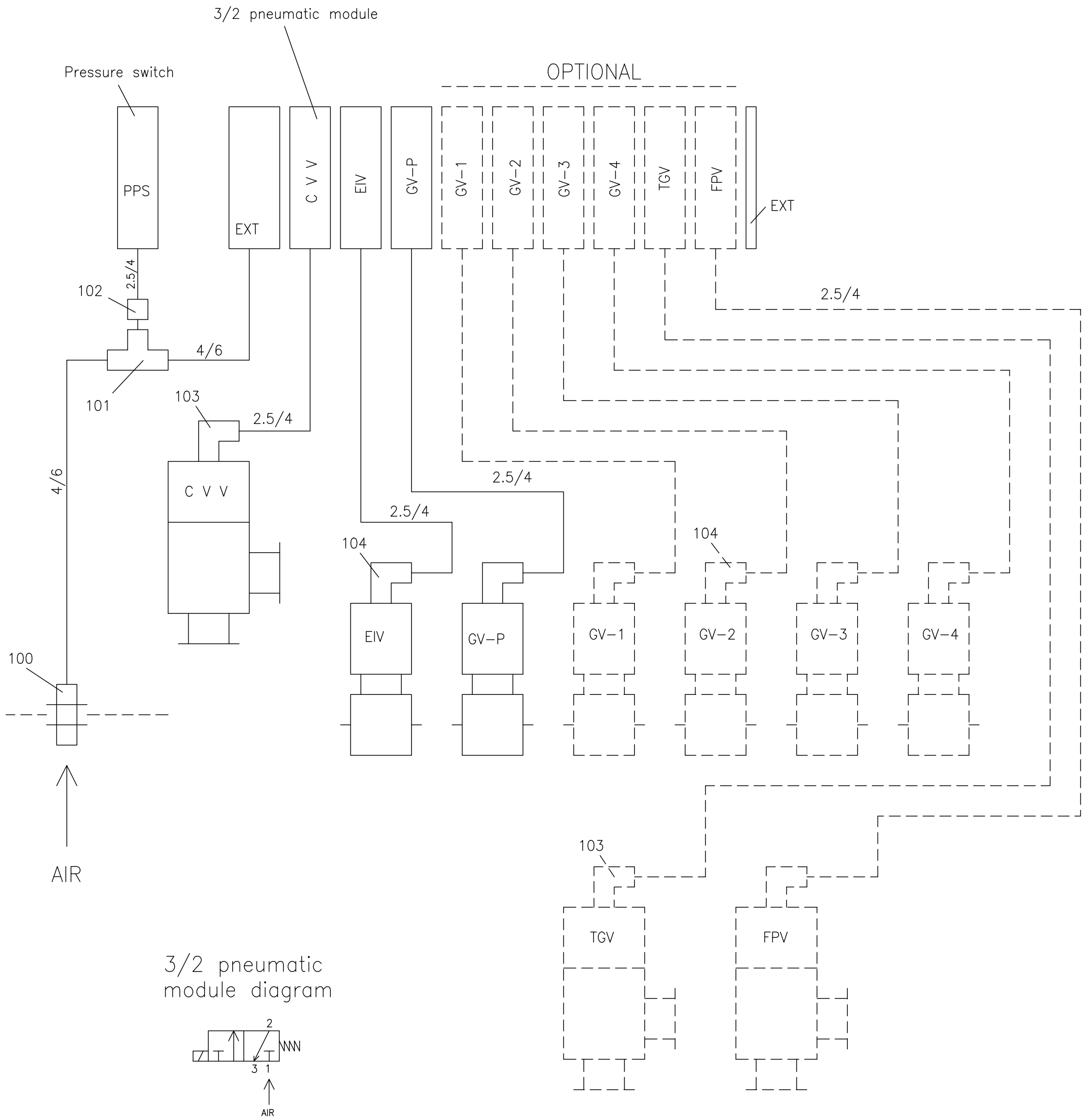
ELECTRICAL FRAME

4mm²
lg:1m

10mm² HT
lg:1.5m

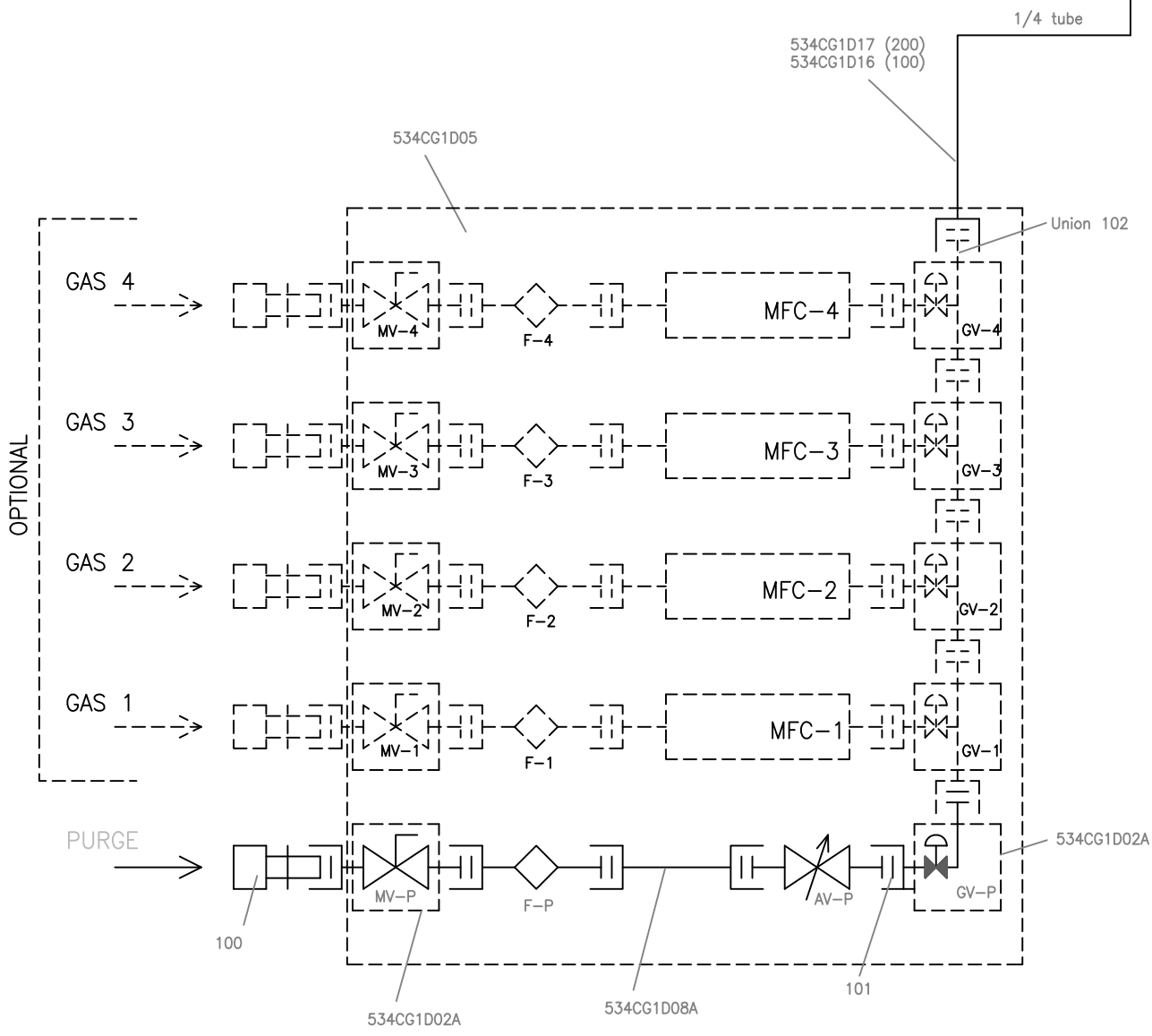
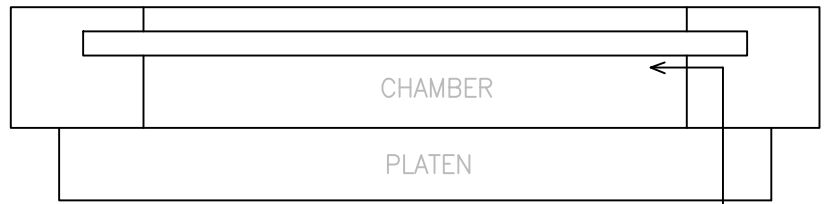
10mm² HT
lg:1.5m

MECHANICS



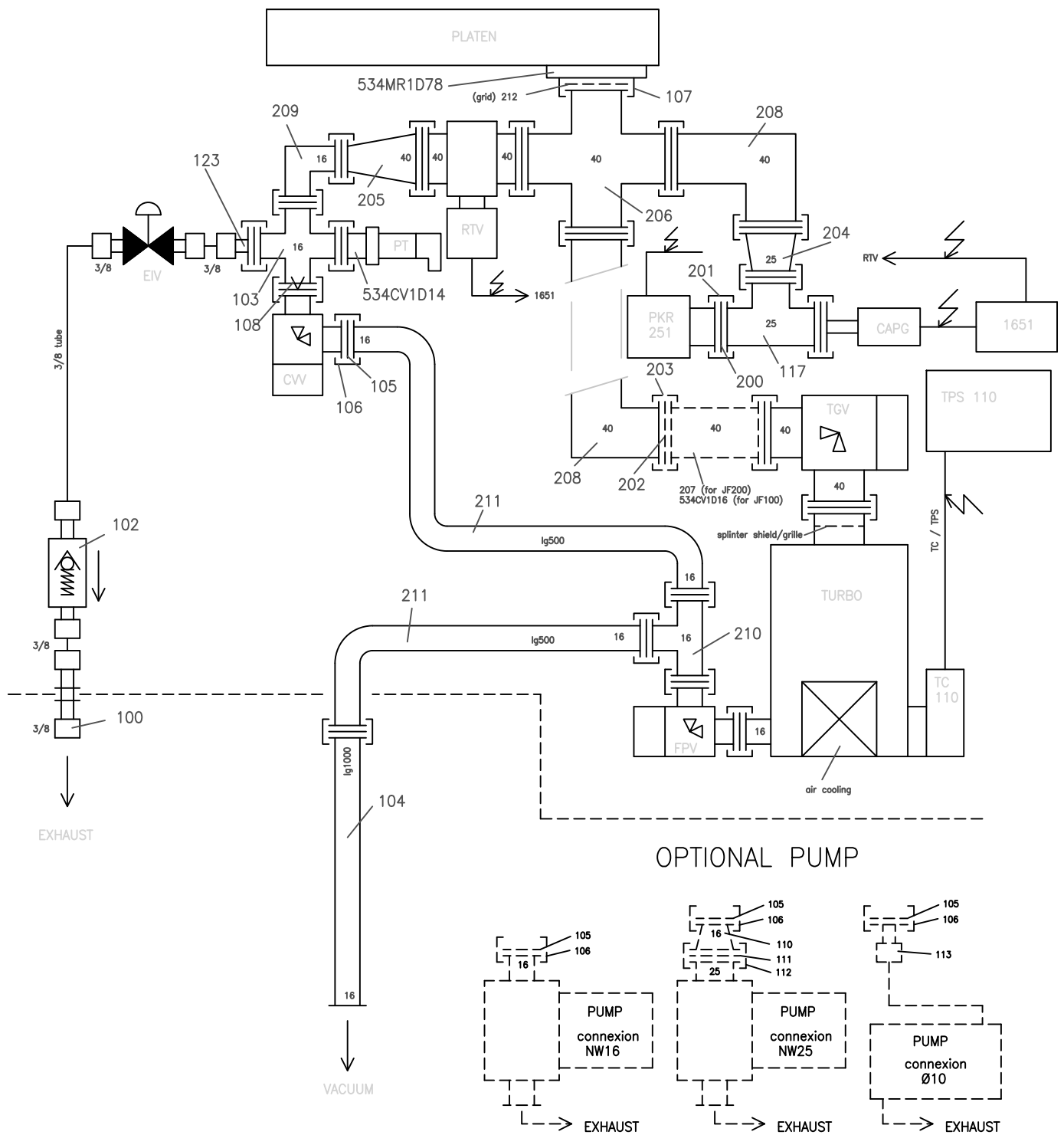
PNEUMATIC CIRCUIT

Fig.
534CP1E02



GAS CIRCUIT

Fig.
534CG1E07



VACUUM CIRCUIT
WITH TURBO PUMP & PRESSURE CONTROL.

Fig.
534CV1E20