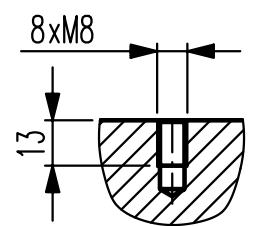
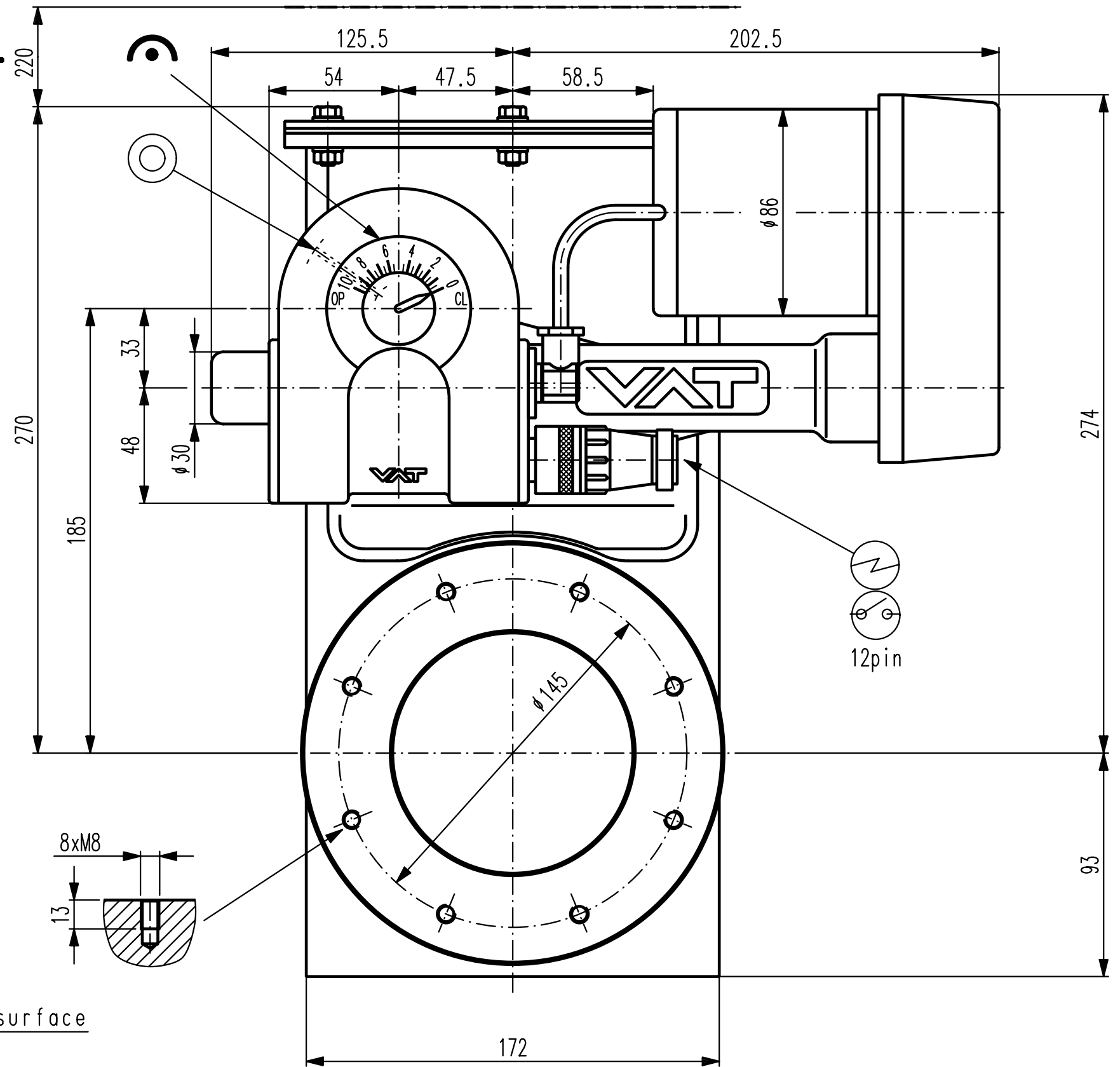
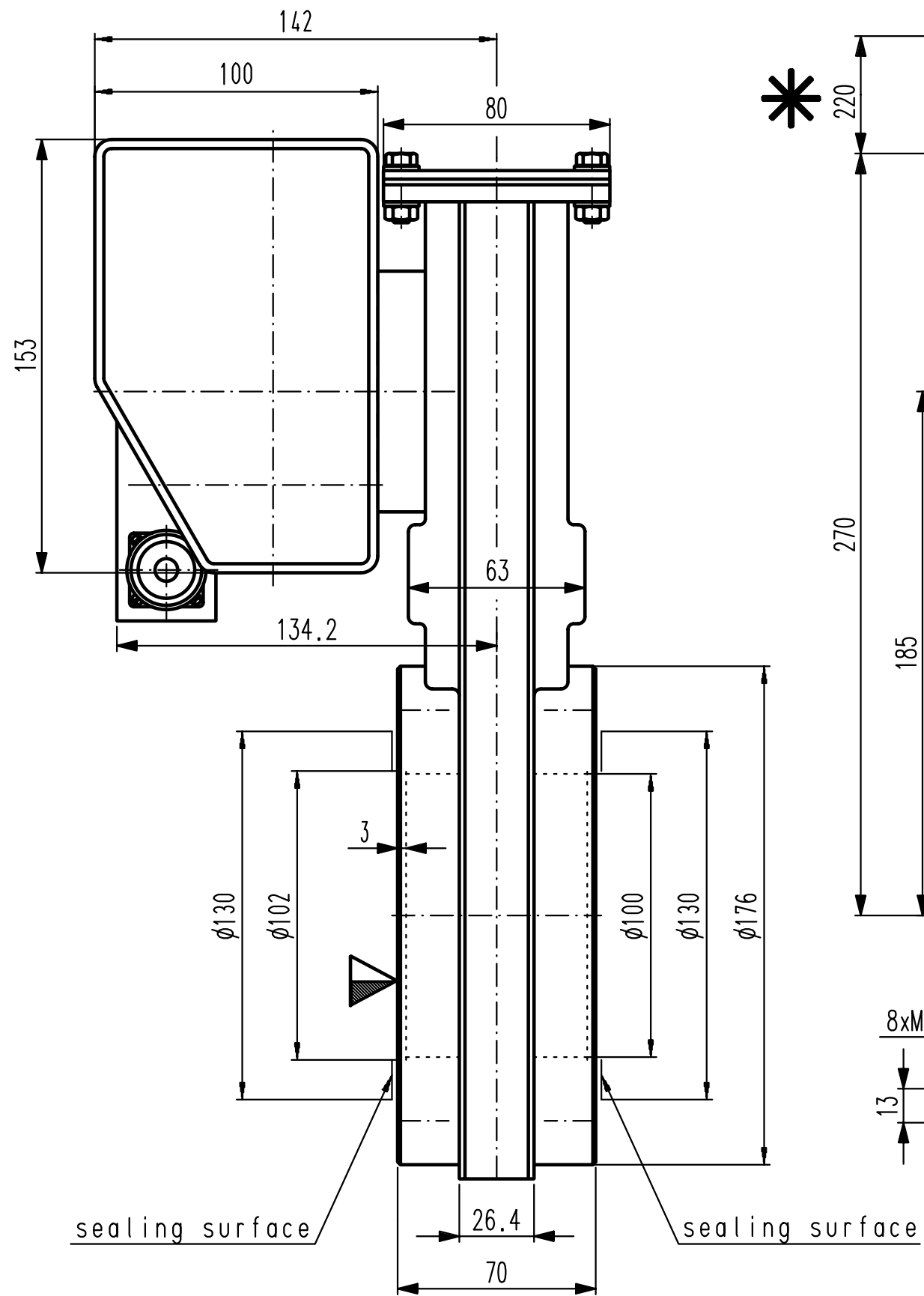


This drawing is the property of VAT.
Without the written consent of VAT, it must
not be copied or distributed to a third person



| | |
|----------|----------|
| Revision | A |
| Code | |
| Date | 20.11.02 |
| Name | MID |

- ▼ Seat side
- ⊙ Comp. air connection
- ⊙ Electrical connection
- ⊙ Leak detection port
- ⊙ Mech. pos. indication
- ⊙ Position indicator
- ⊙ Required for dismantling
- ⊙ Emergency actuation
- ⊙ For attachment
- ⊙ Bake-out area
- ⊙ Differential pumping port

Control Gate Valve

stepper motor



VAT Vakuumventile AG
CH-9469 Haag, Switzerland
Tel ++41 81 7716161 Fax ++41 81 7714830

Date: 07.11.94
Name: SIMON

| | | | |
|---------------------|-------|--------------|-----------------|
| Series | 64 | Ordering No. | 64040-PE52-0008 |
| Projection E | | DN | 100 |
| | | Flange | ISO-F |
| Dimensional Drawing | 85854 | Rev. | A |